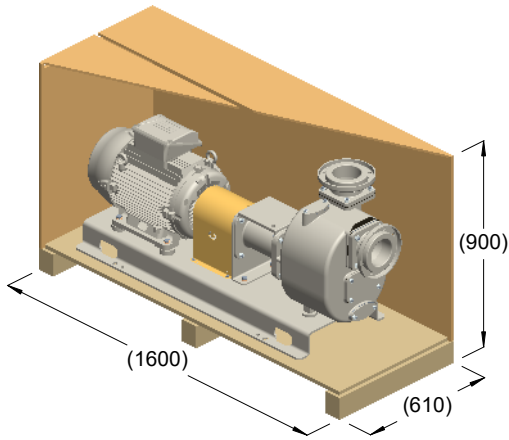
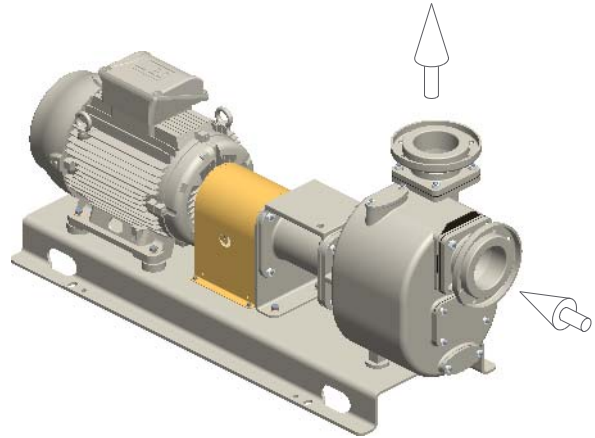


S108 K..B+F/T



kg = 341
m³ = 0.88



kg = 317

