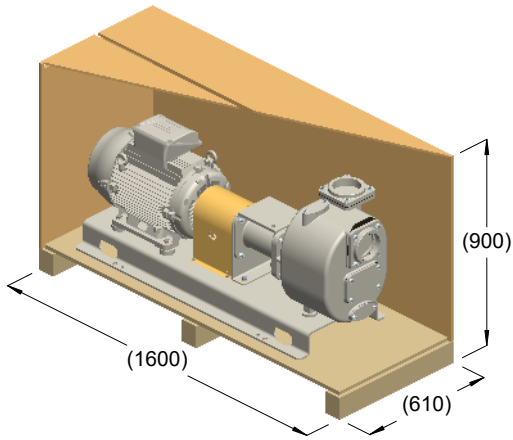
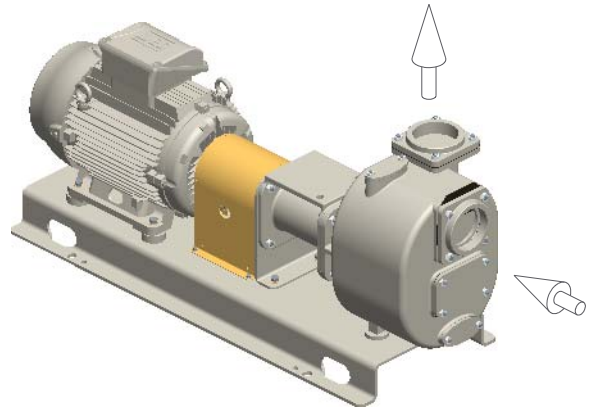


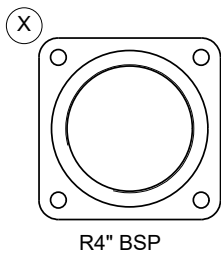
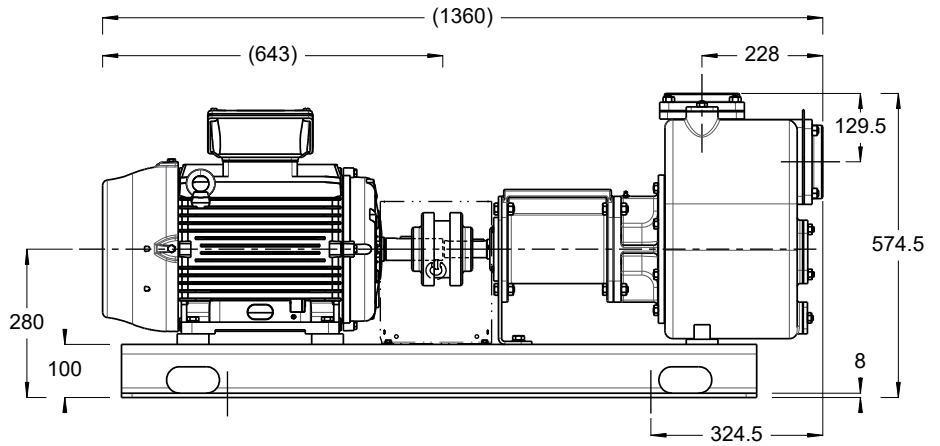
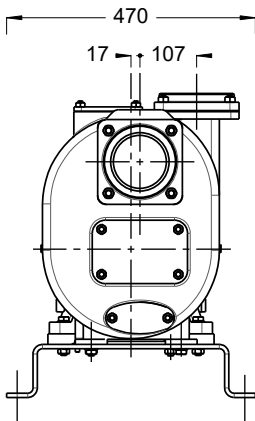
**S108 K..B/T**



kg = 335  
m<sup>3</sup> = 0.88



kg = 311



R4" BSP

