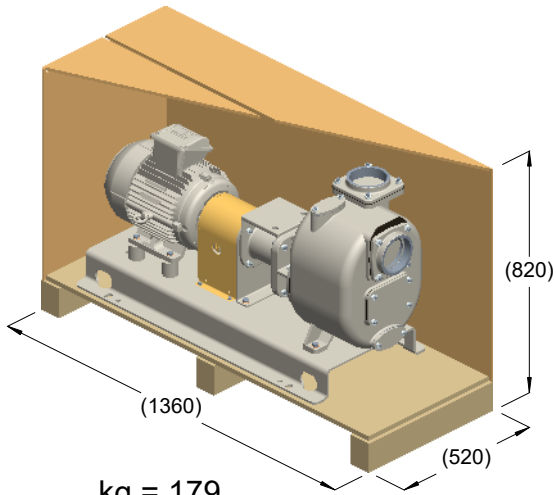
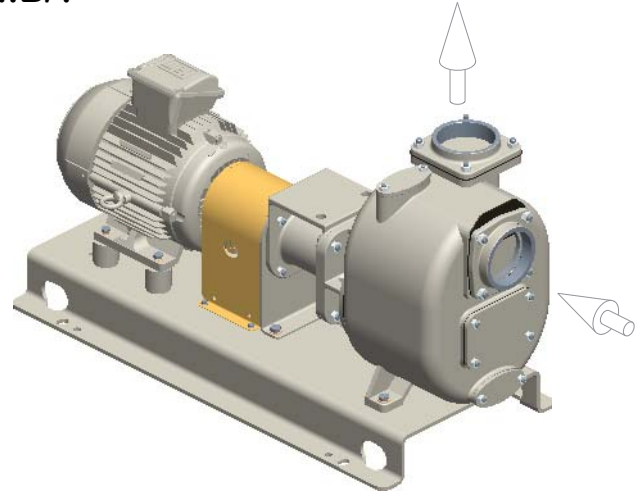


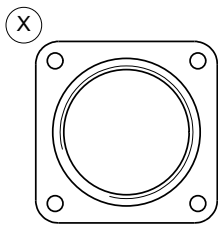
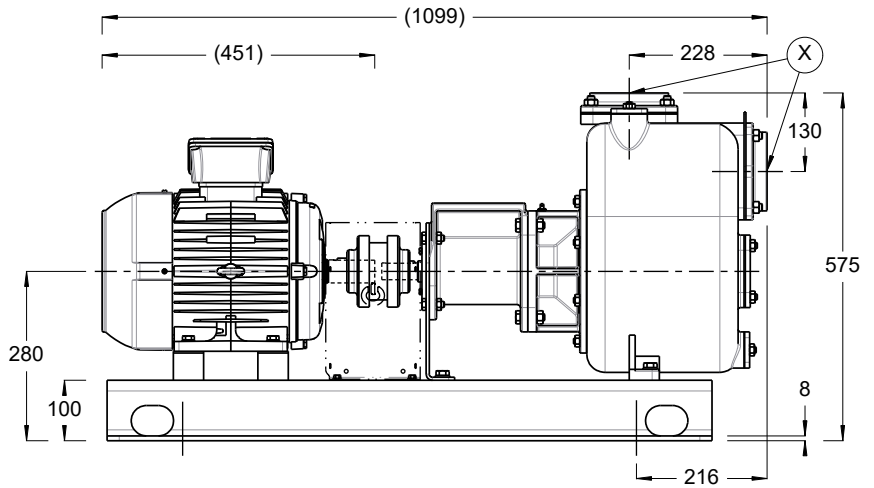
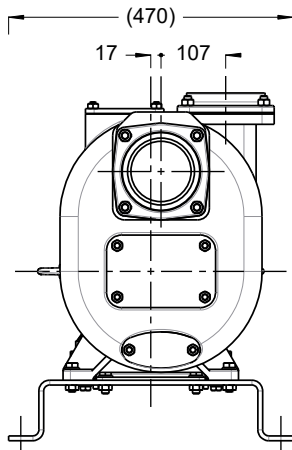
**S105 ...B/T**



kg = 179  
m<sup>3</sup> = 0.31



kg = 164



R4" BSP

