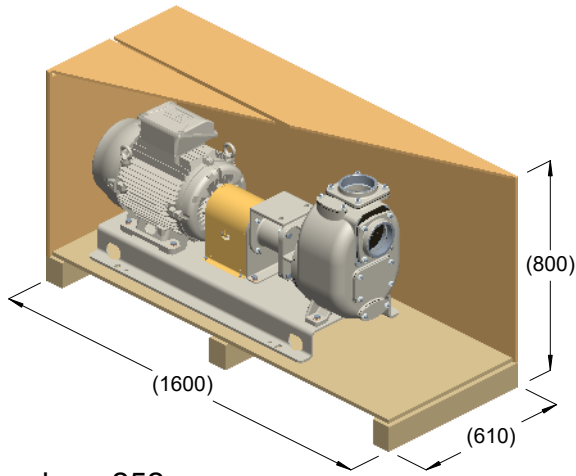
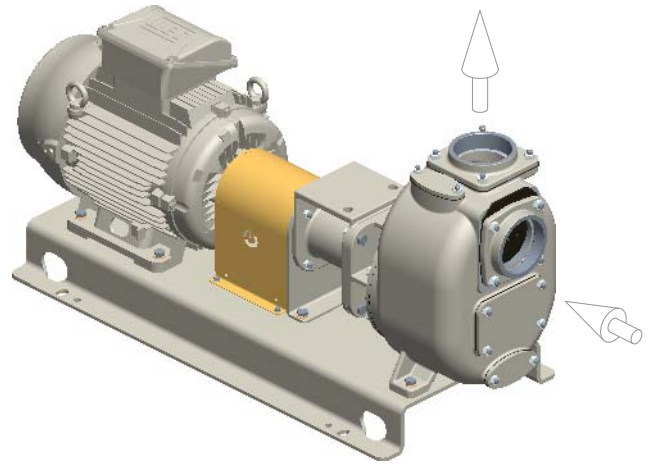


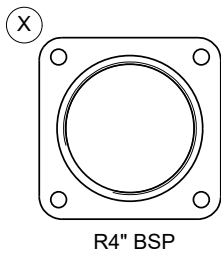
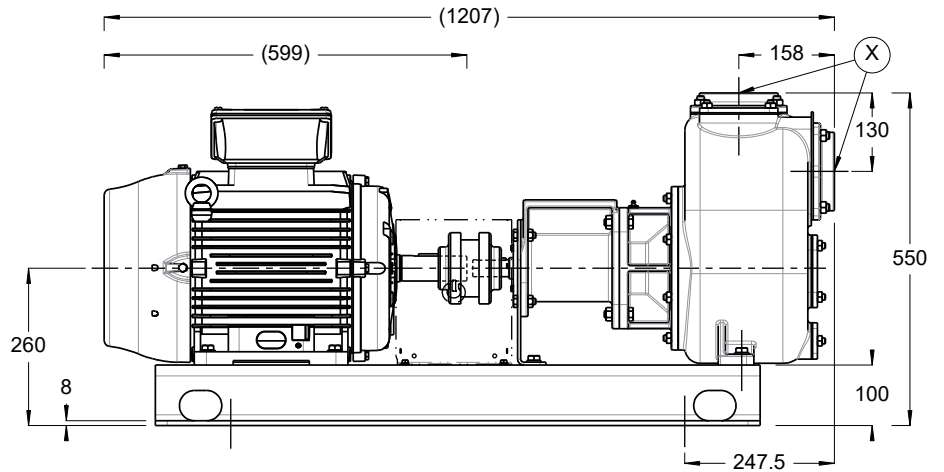
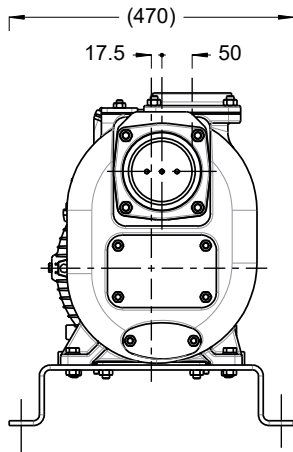
S100 ...B/T



kg = 252
m³ = 0.78



kg = 229



R4" BSP

