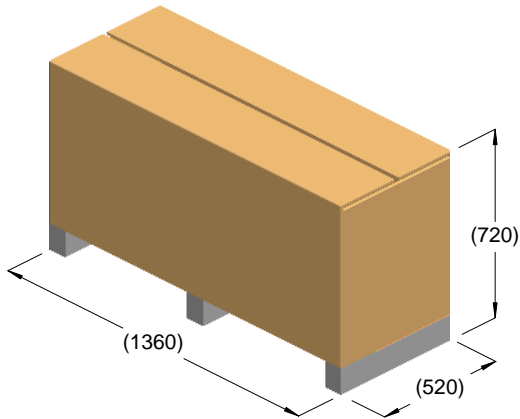
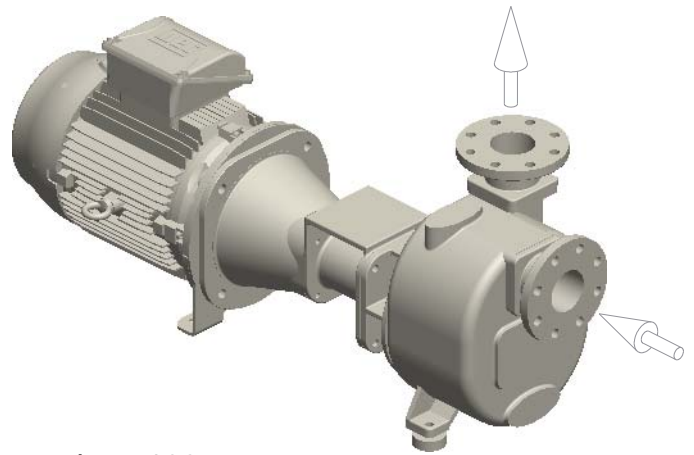


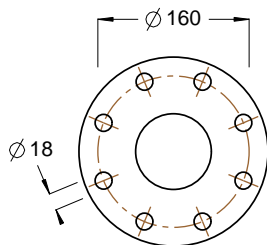
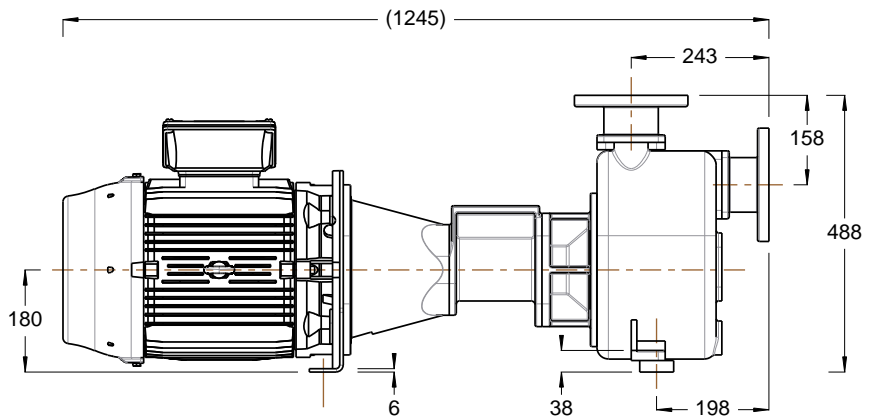
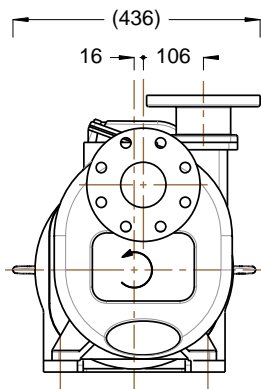
S 88 ...BBT+F



kg = 205
m³ = 0.51



kg = 192



DN80 PN16

