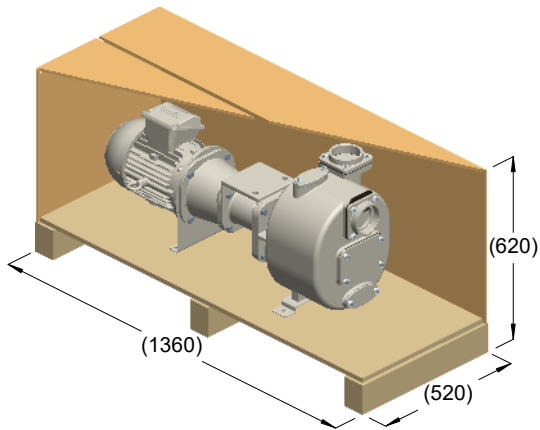
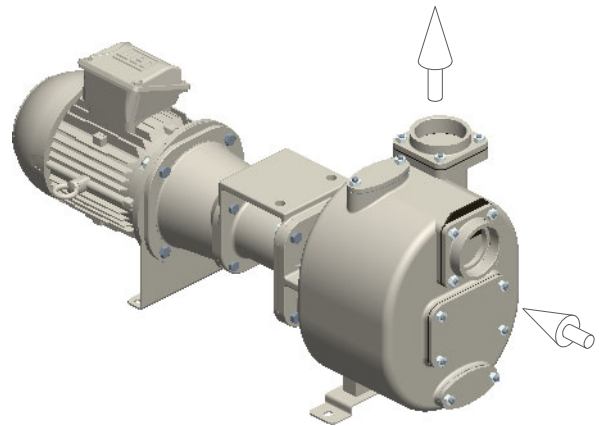




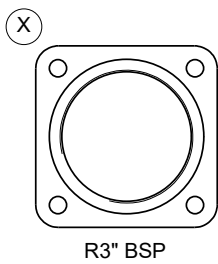
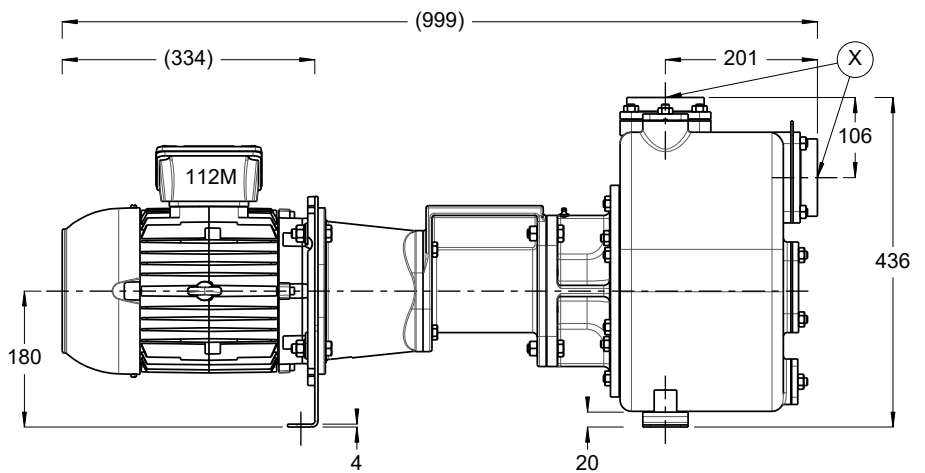
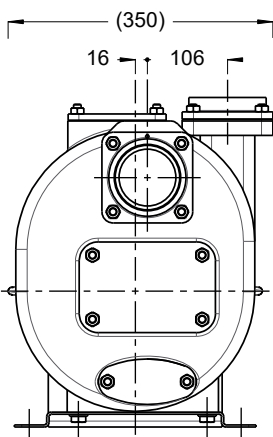
**S 85+50 K..BBT**



kg = 176  
m<sup>3</sup> = 0.44



kg = 163



R3" BSP

