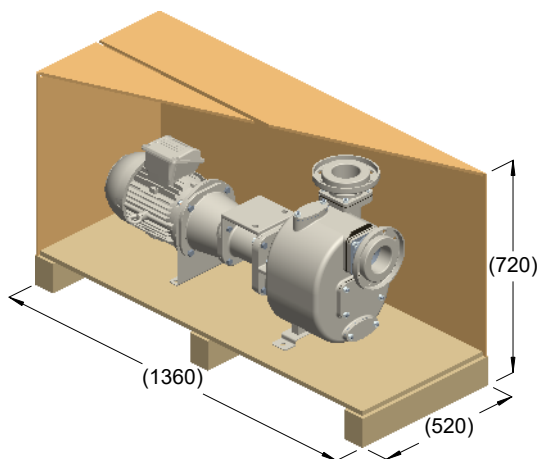
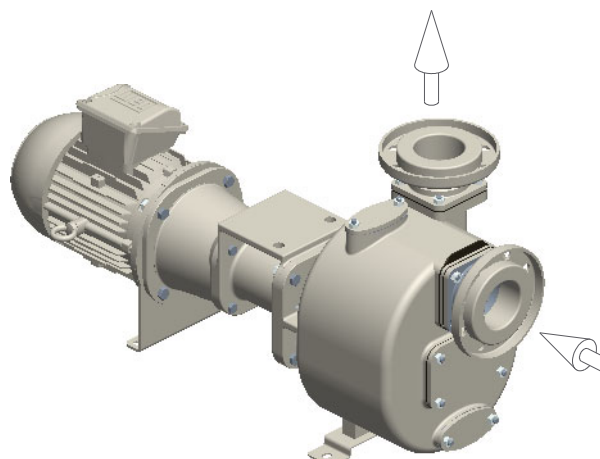




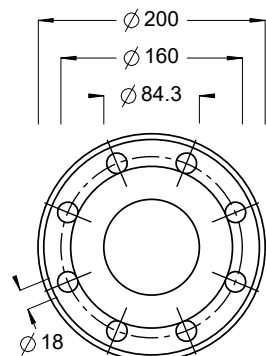
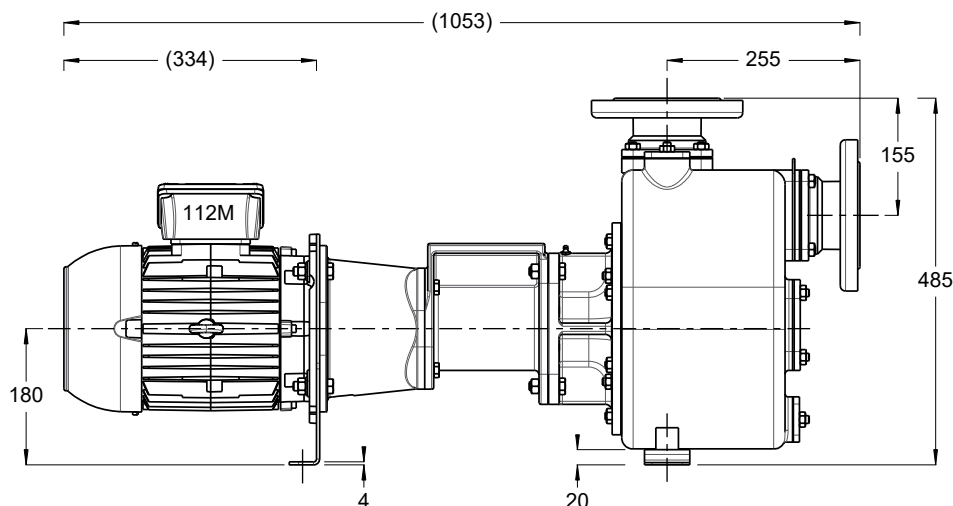
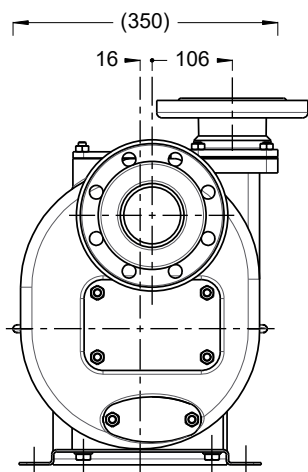
**S 85+50 K..BBT+F**



kg = 182  
m<sup>3</sup> = 0.51



kg = 168



ISO DN80 PN16

