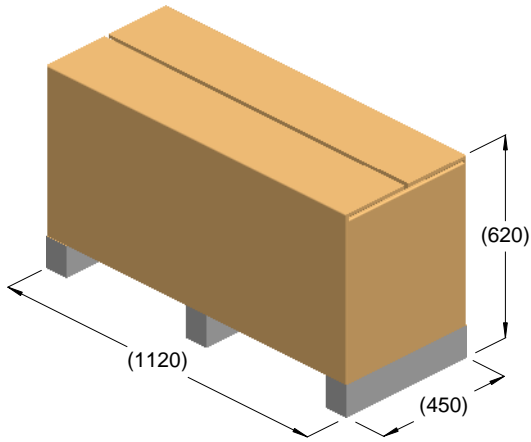
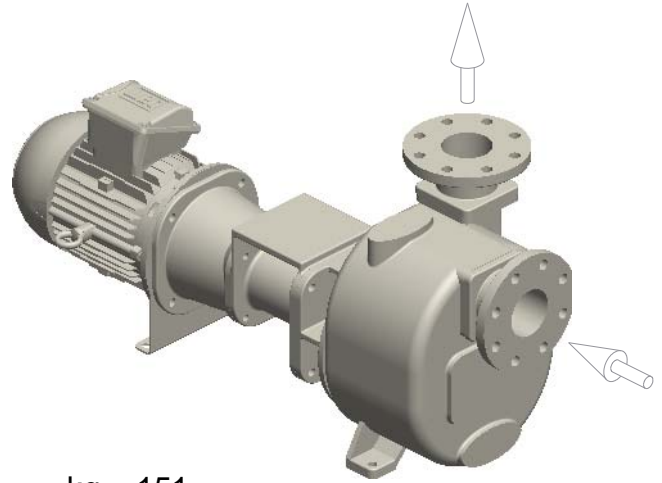


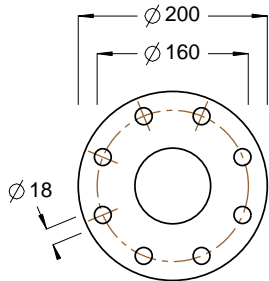
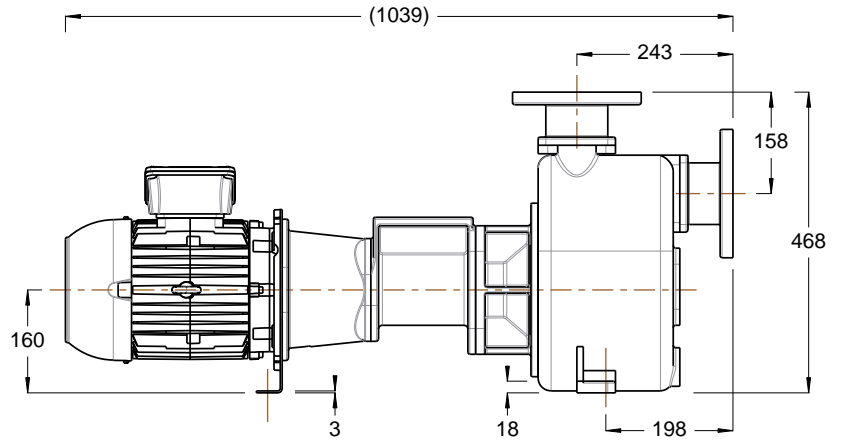
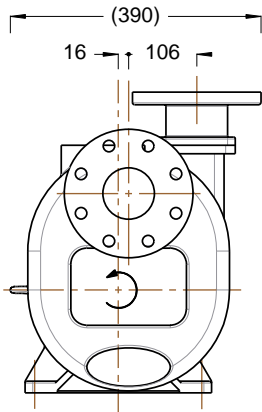
**S 85 ...BBT+F**



kg = 161  
m<sup>3</sup> = 0.31



kg = 151



DN80 PN16

