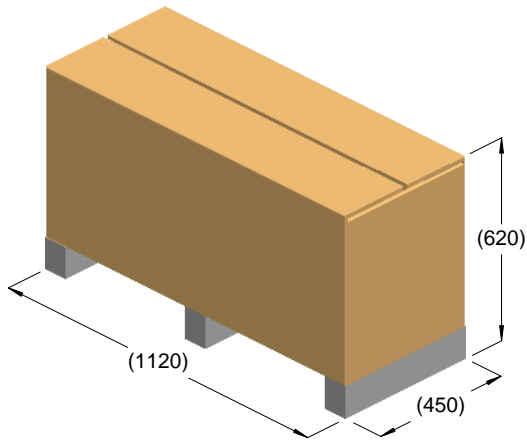
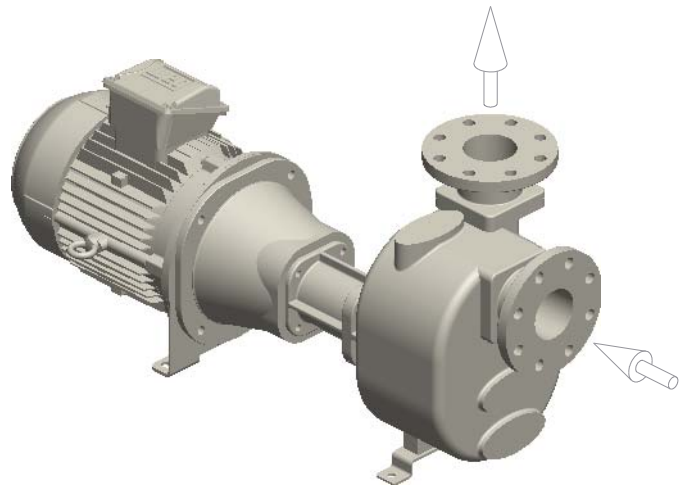


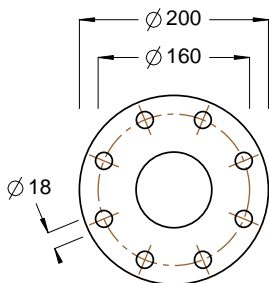
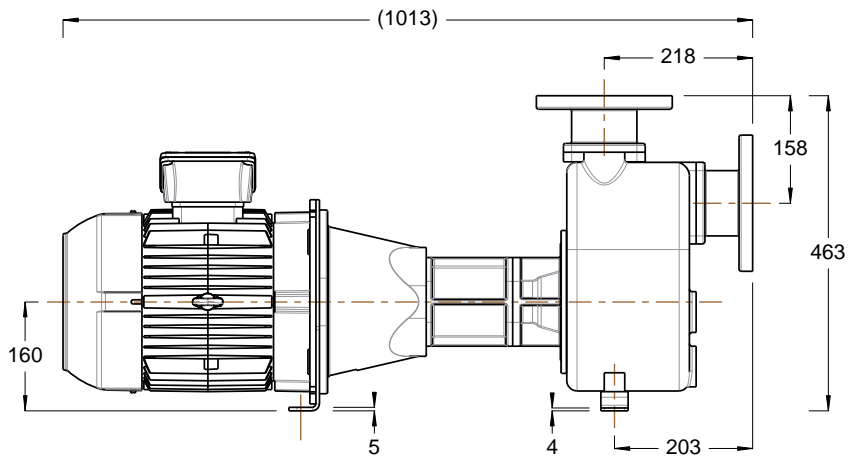
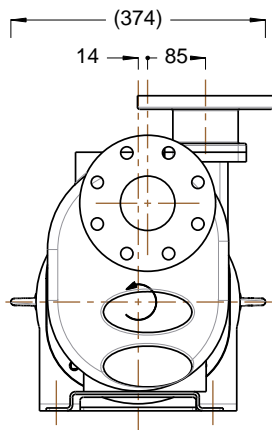
**S 83 ...BBT+F**



**Kg = 153**  
**m<sup>3</sup> = 0.31**



**kg = 133**



**DN80 PN16**

