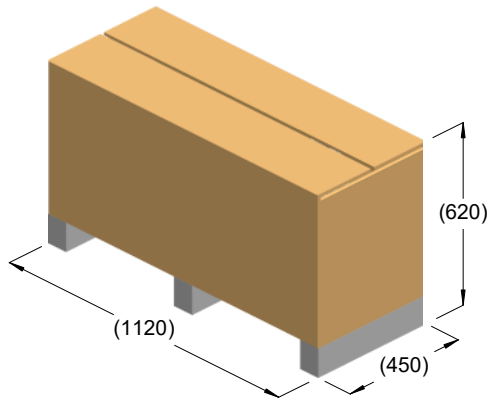
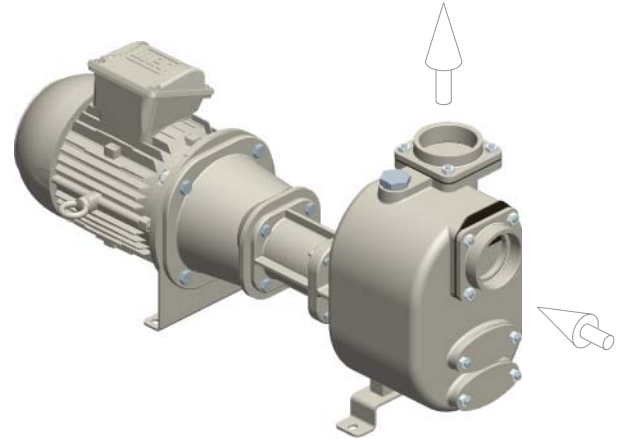


**S 82 K..BBT**



kg = 115  
m<sup>3</sup> = 0.31



kg = 105

