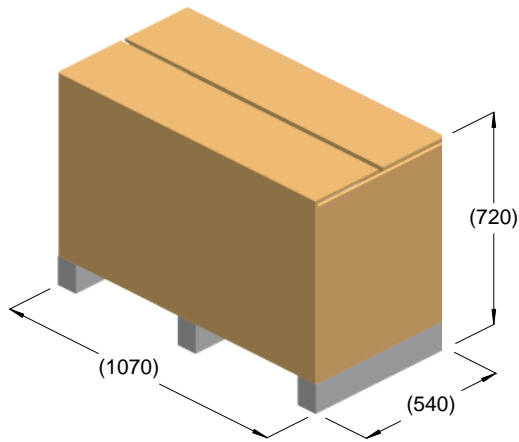
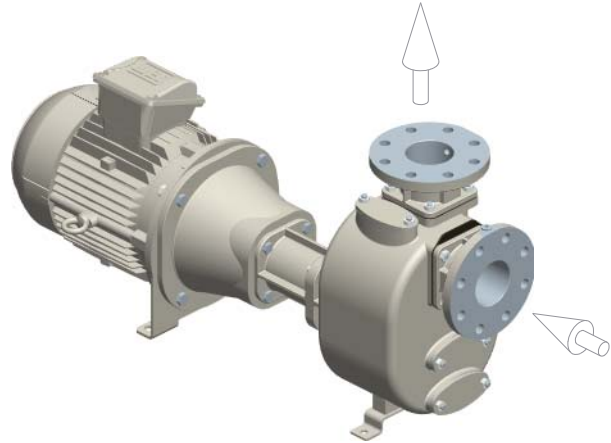


**S 80 ...BBT52+F**



kg = 149  
m<sup>3</sup> = 0.42



kg = 135

