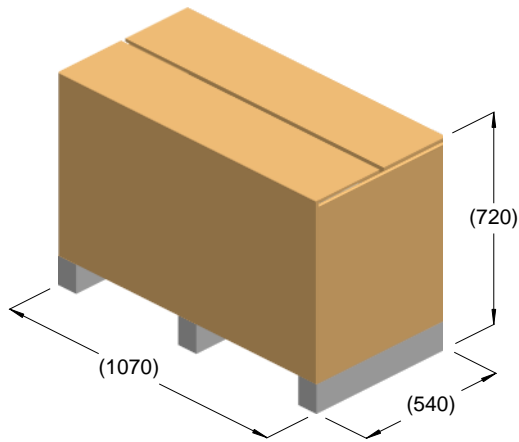
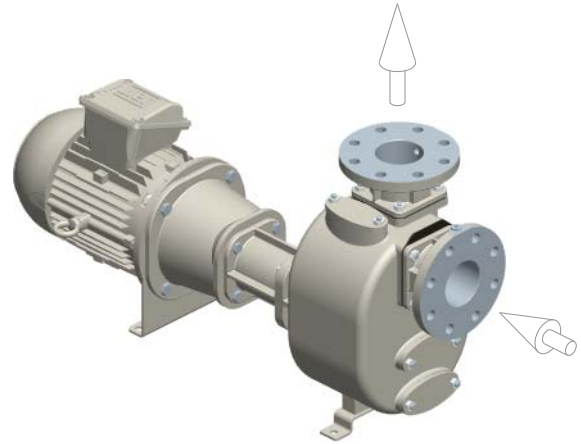


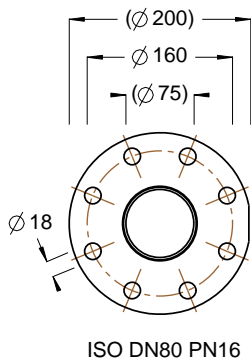
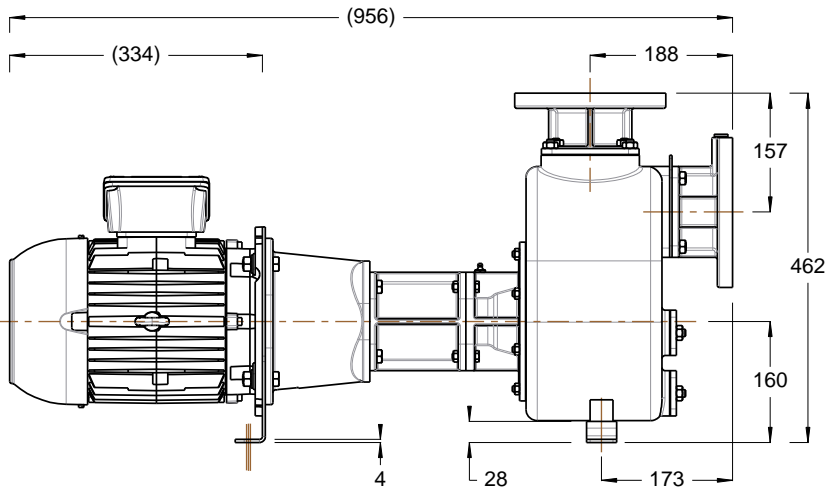
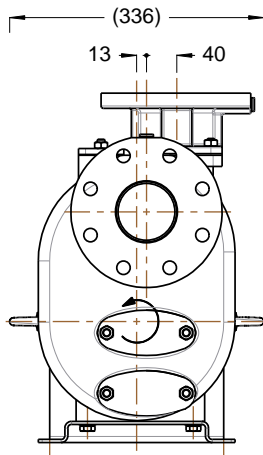
S 80 ...BBT+F



kg = 124
m³ = 0.42



kg = 110



ISO DN80 PN16

