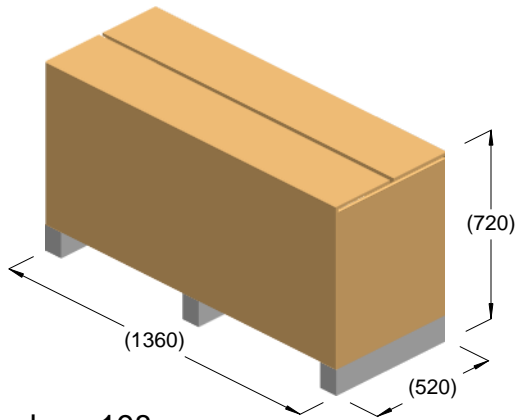
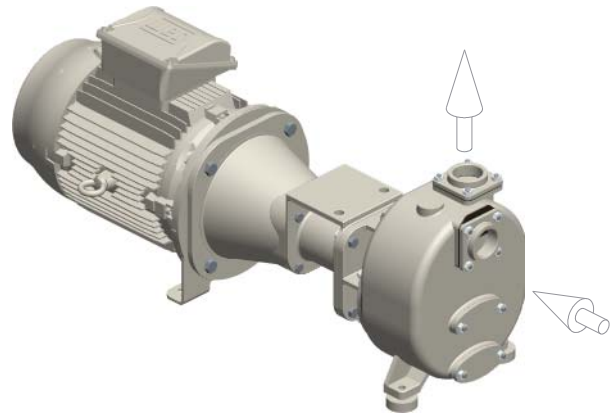


S 68 ...BBT



kg = 198
m³ = 0.51



kg = 185

