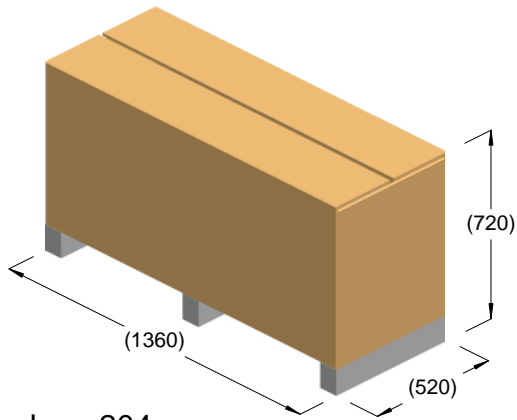
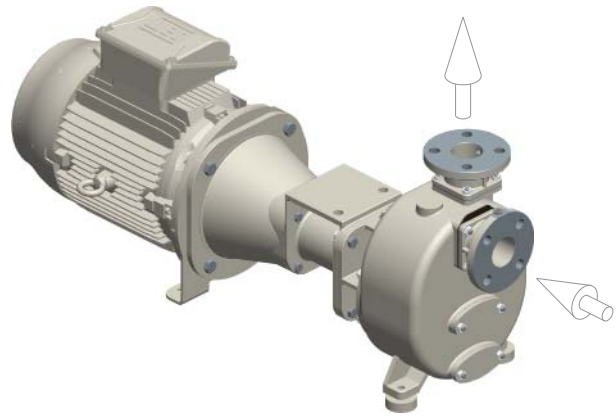


**S 68 ...BBT+F**



kg = 204  
m<sup>3</sup> = 0.51



kg = 191

