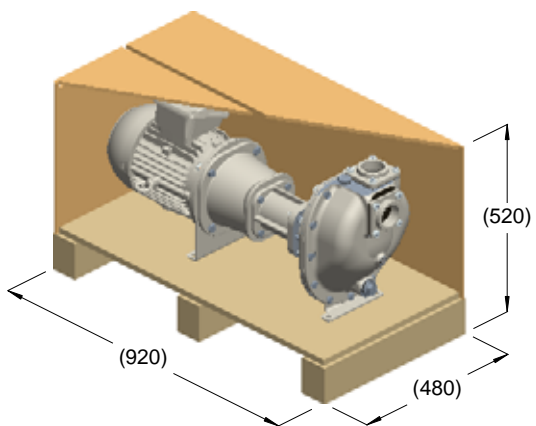
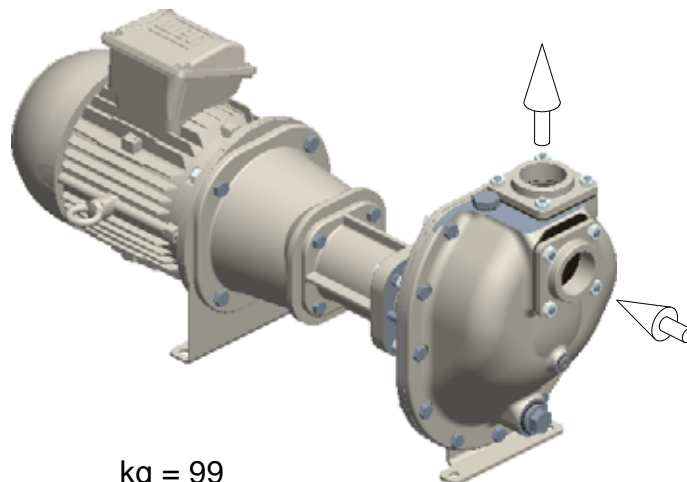




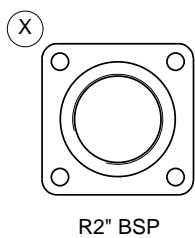
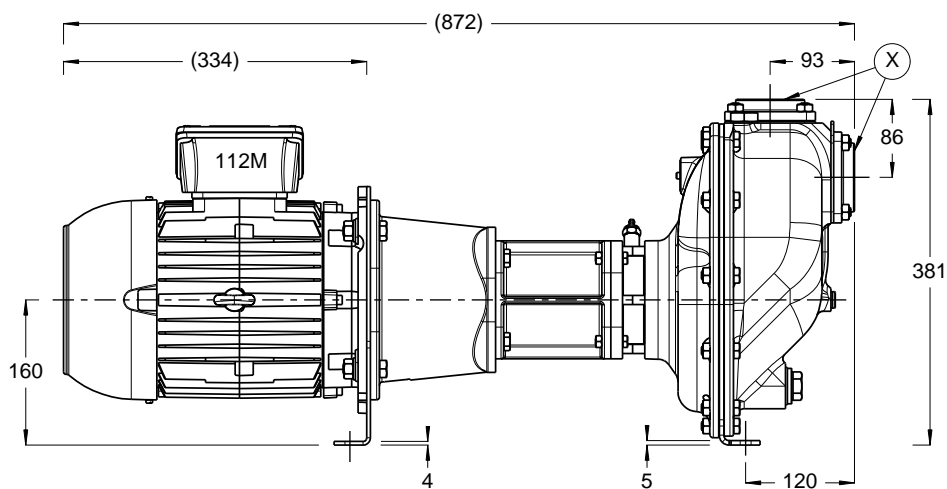
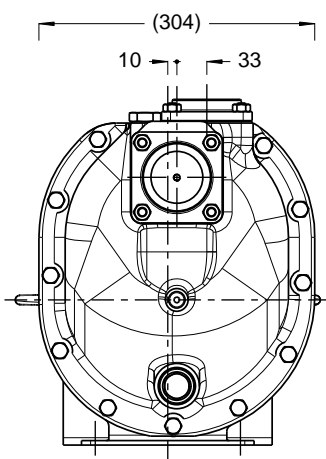
S 62 K..BBT



kg = 107
m³ = 0.27



kg = 99



R2" BSP

