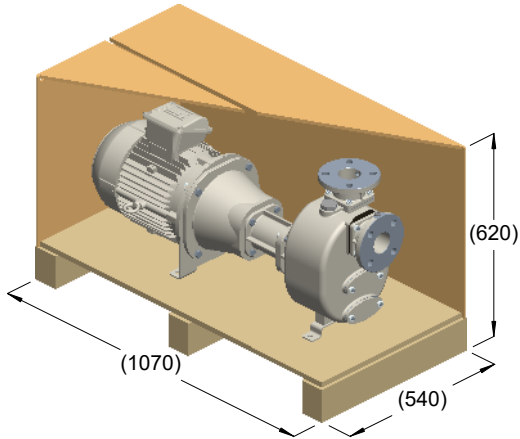
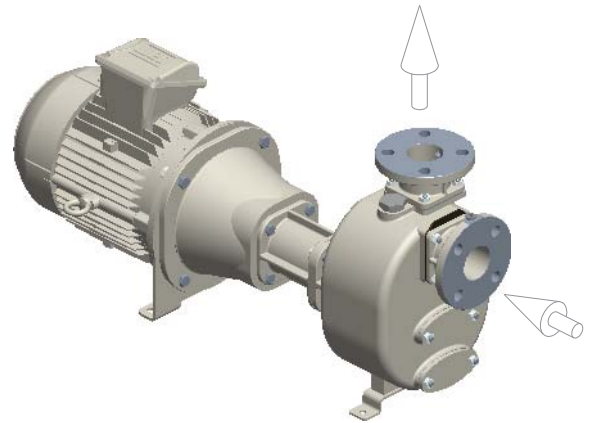


S 60 ...BBT52+F



kg = 138
m³ = 0.36



kg = 125

