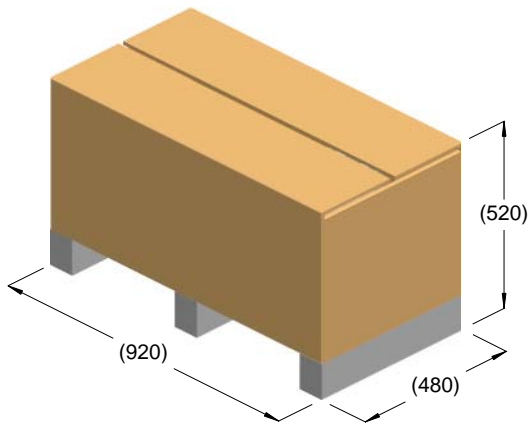
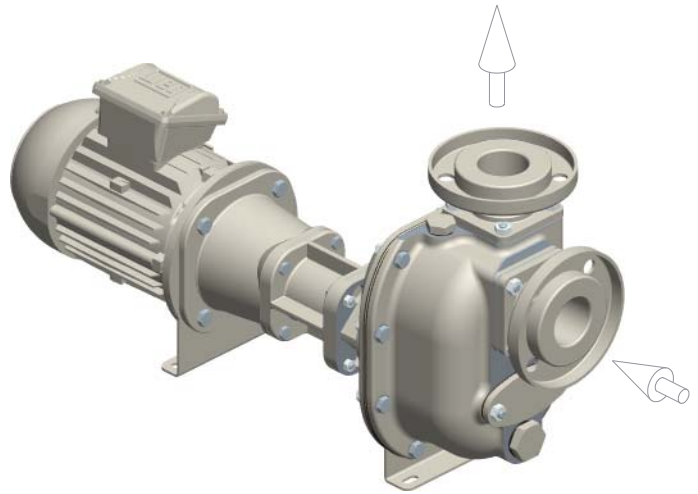


**S 51 K..BBT+F**



kg = 70  
m<sup>3</sup> = 0.27



kg = 62

