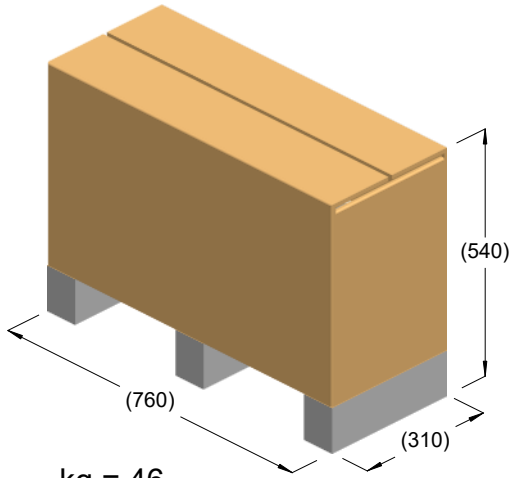
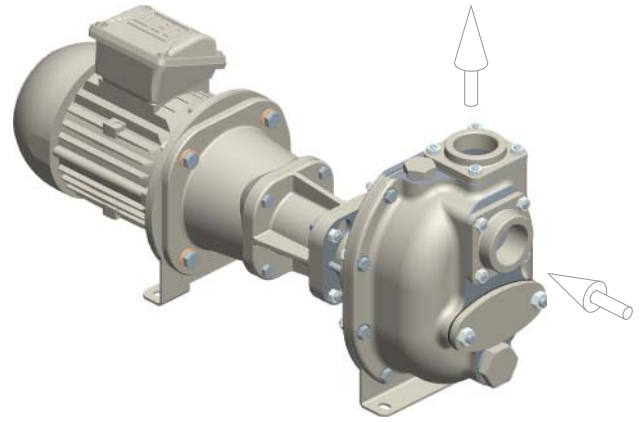


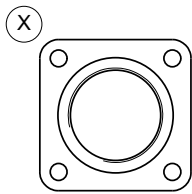
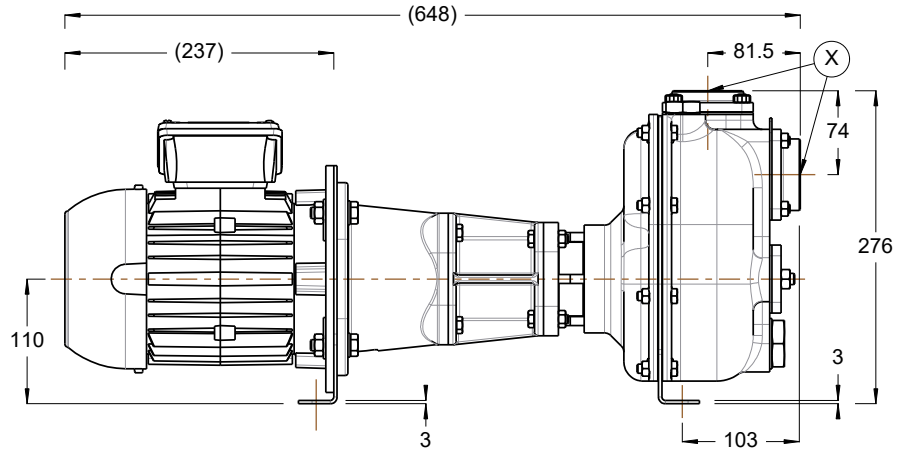
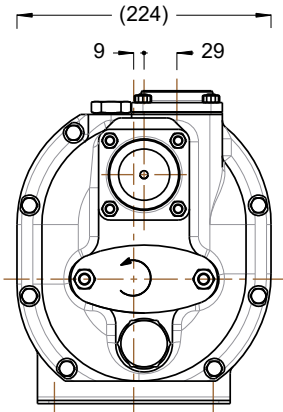
S 41 ...BBT



kg = 46
m³ = 0.18



kg = 40



R 1½" BSP

