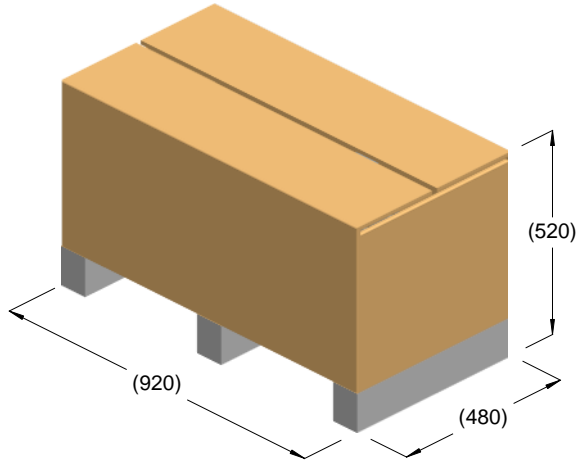
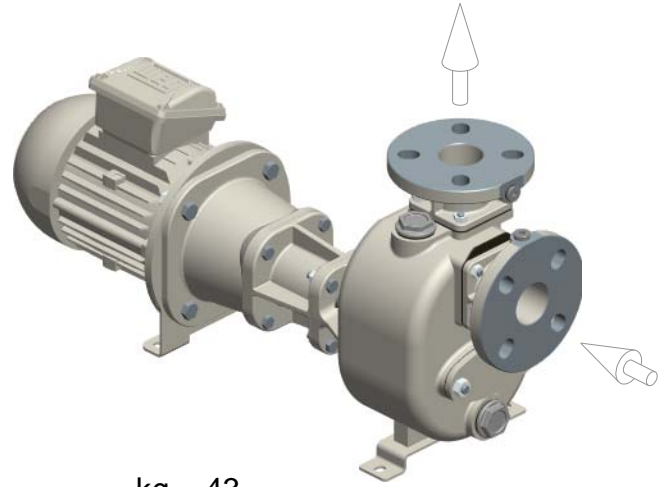


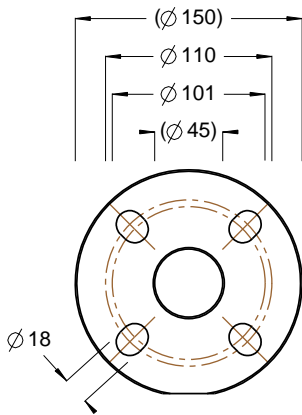
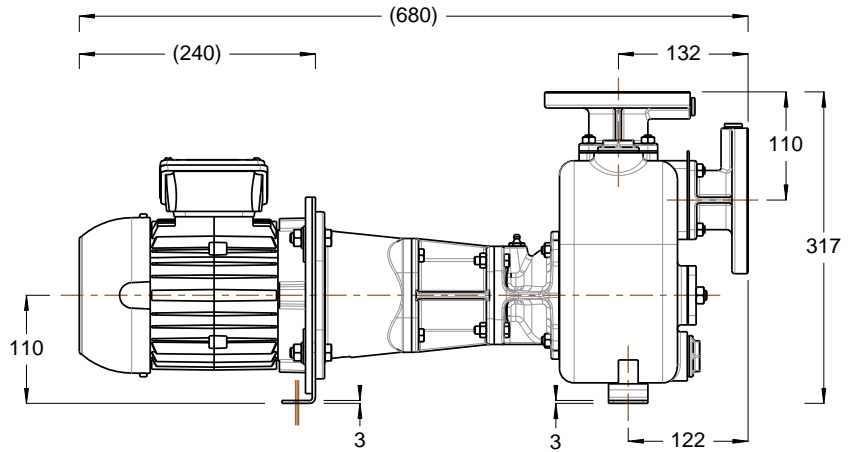
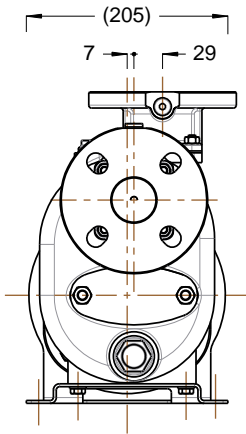
S 40 ...BBT+F



kg = 51
m³ = 0.27



kg = 43



ISO DN40 PN16
ANSI 1½" 125lb

