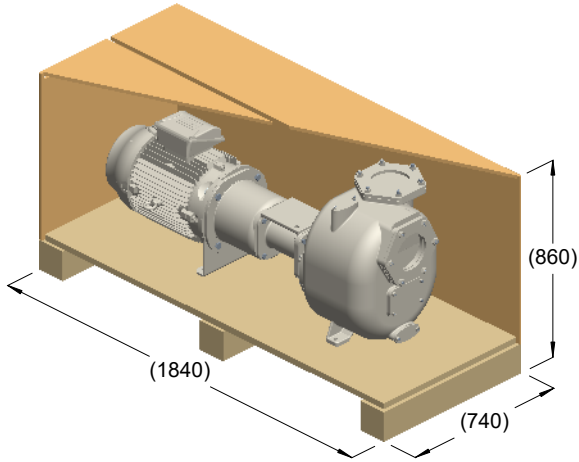
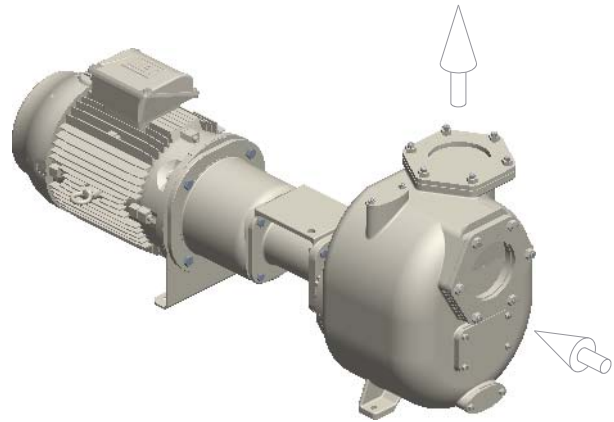


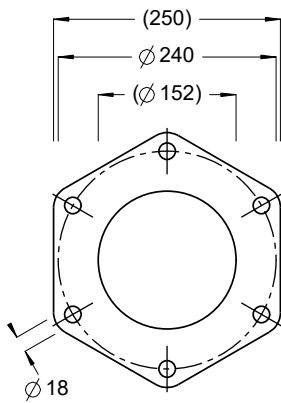
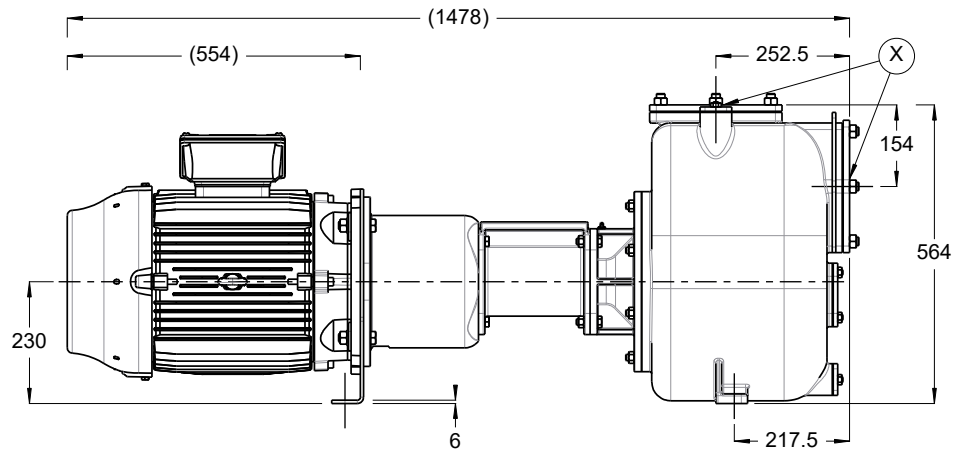
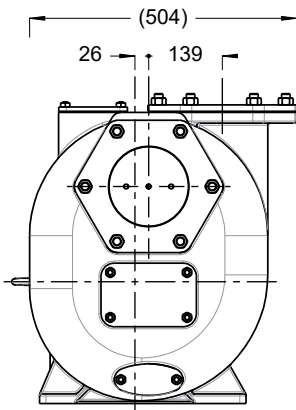
**S161 ...BBT**



kg = 404  
m<sup>3</sup> = 1.15



kg = 376



TO WELD

