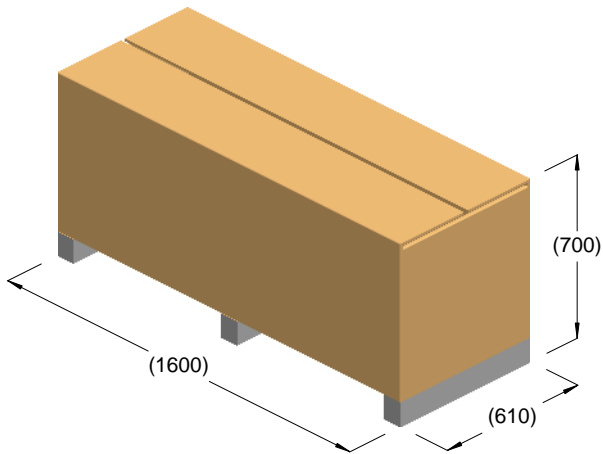
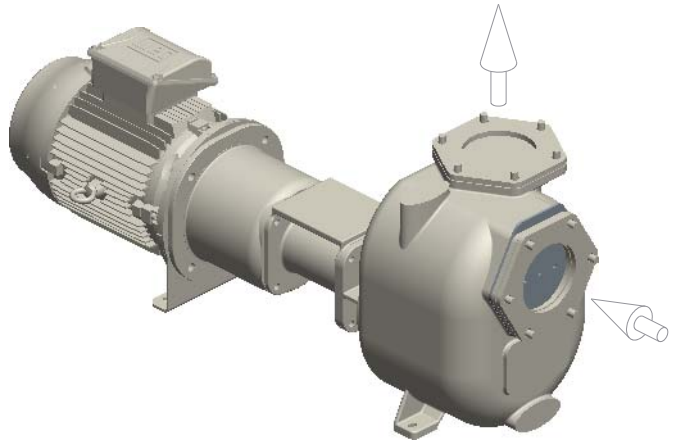


**S150 ...BBT**



kg = ...  
m<sup>3</sup> = 0.68



kg = ...

