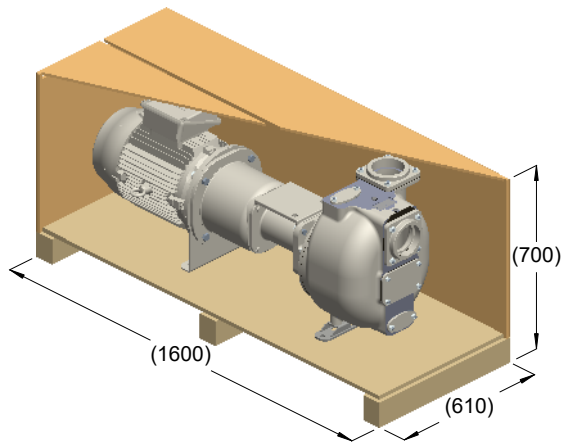
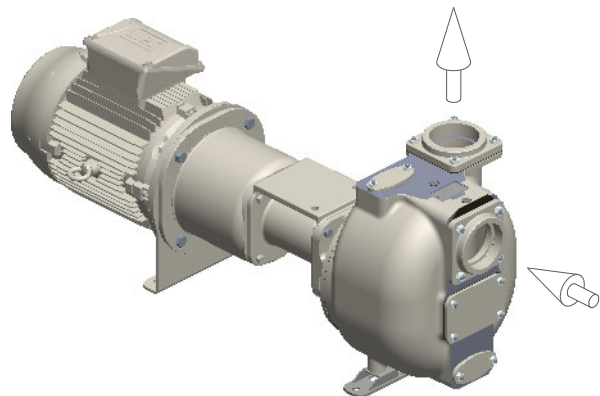




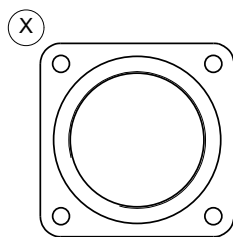
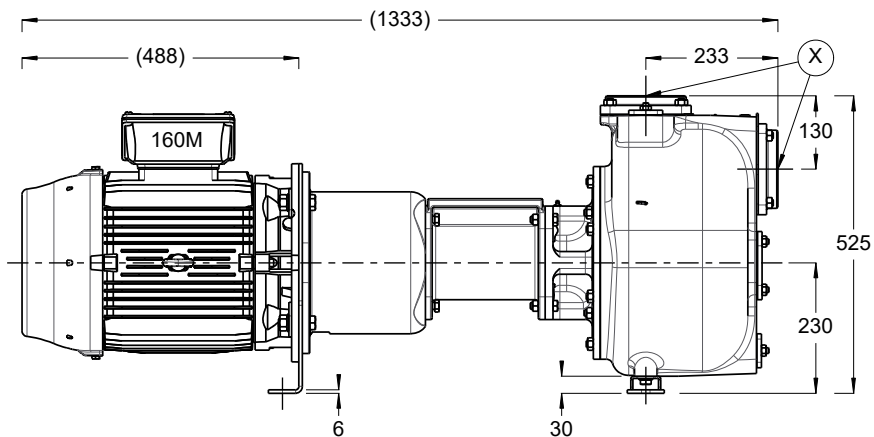
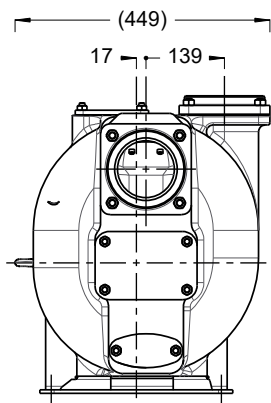
**S121 K..BBT**



kg = 223  
m<sup>3</sup> = 0.68



kg = 202



R4" BSP

