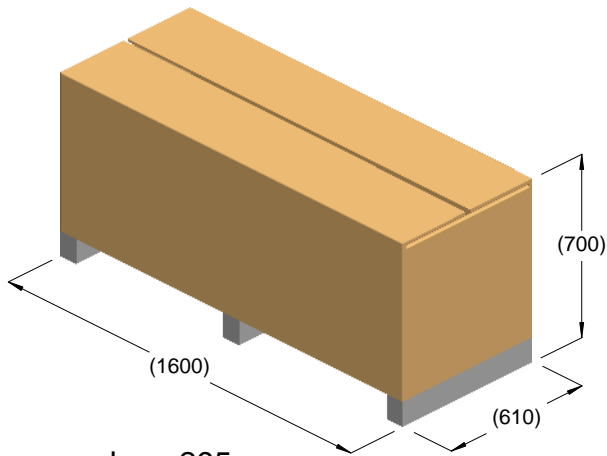
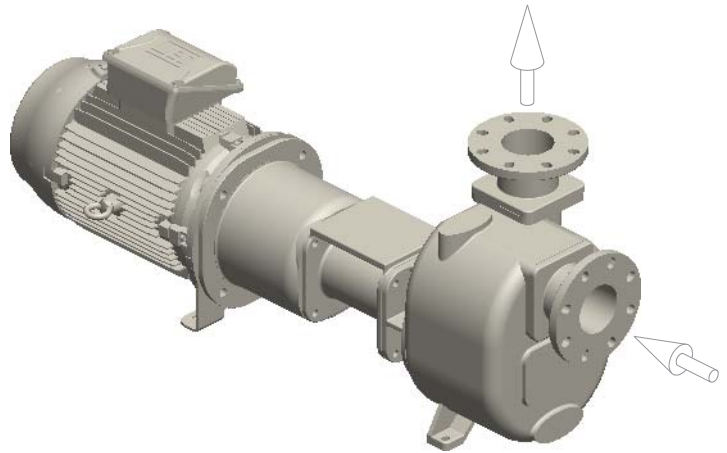


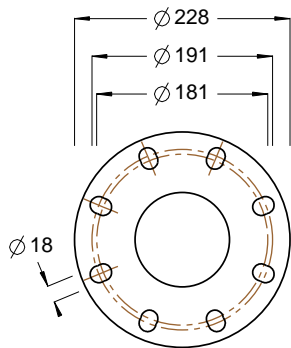
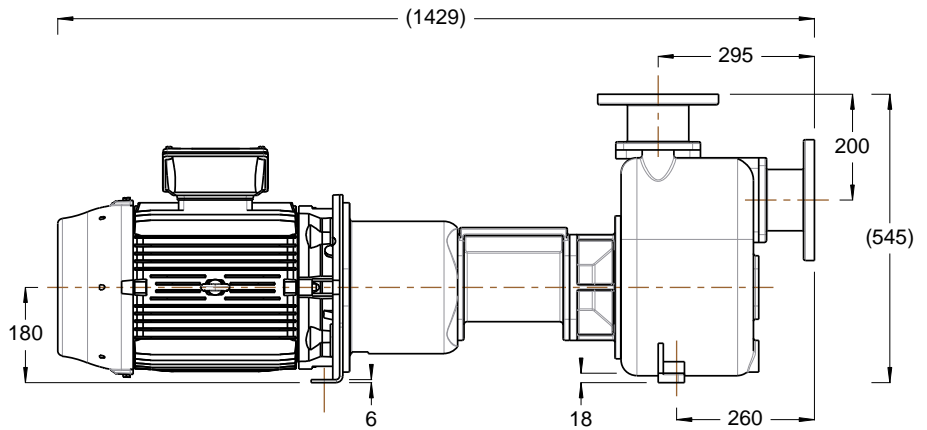
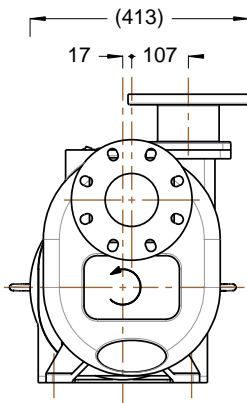
S108 ...BBT+F



kg = 295
m³ = 0.68



kg = 274



DN100 PN16 / ASA125 4"

