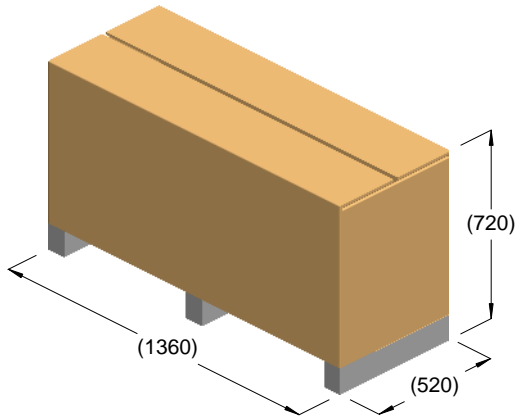
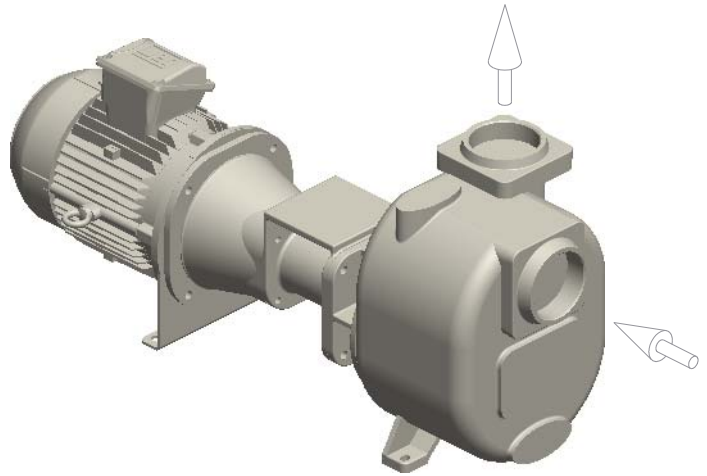


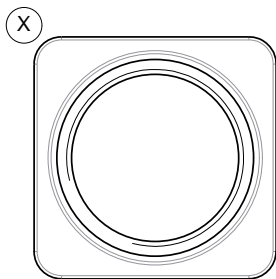
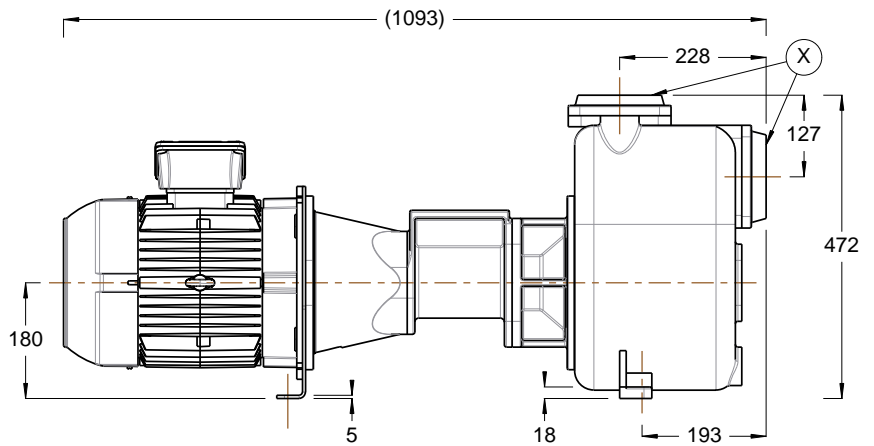
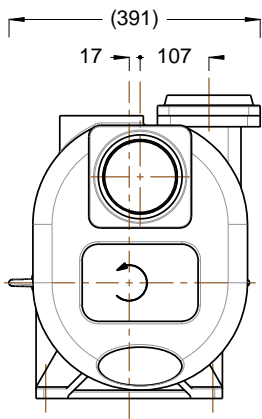
**S105 ...BBT**



kg = 175  
m<sup>3</sup> = 0.51



kg = 160



R4" BSP

