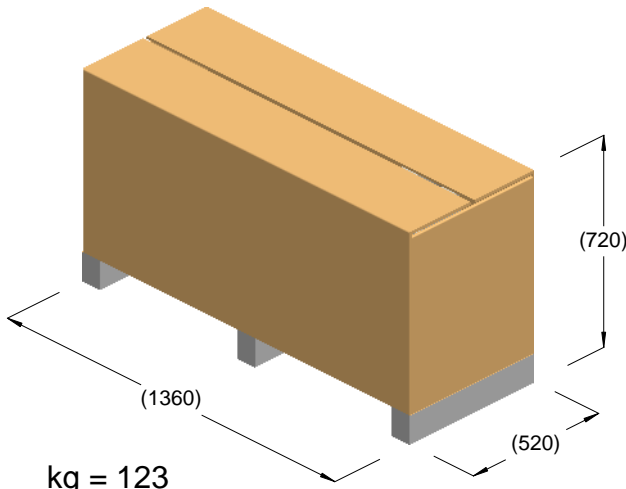
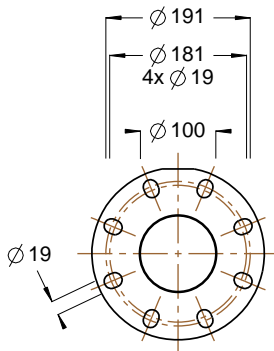
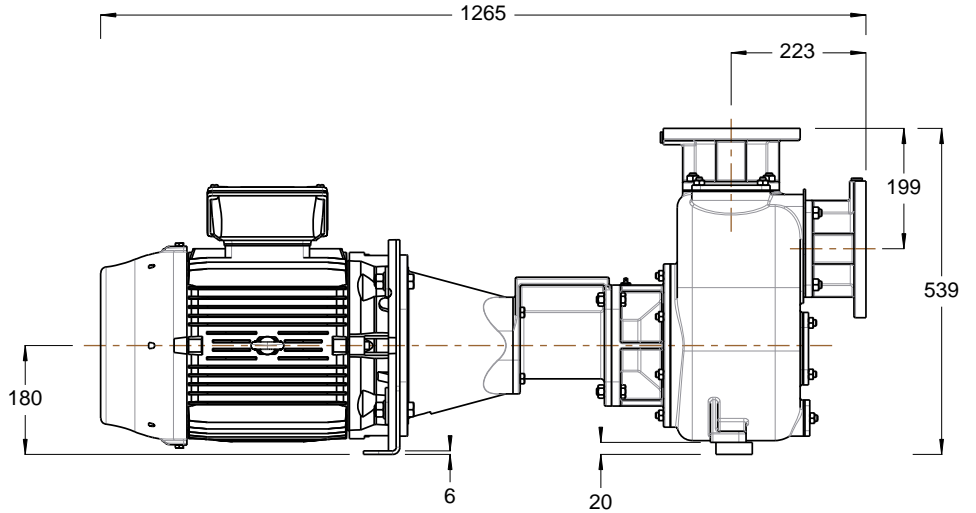
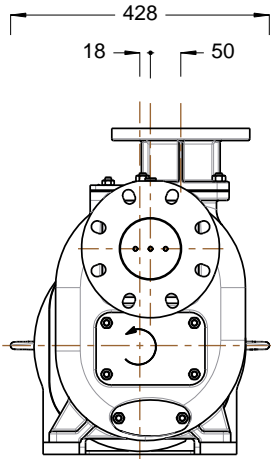
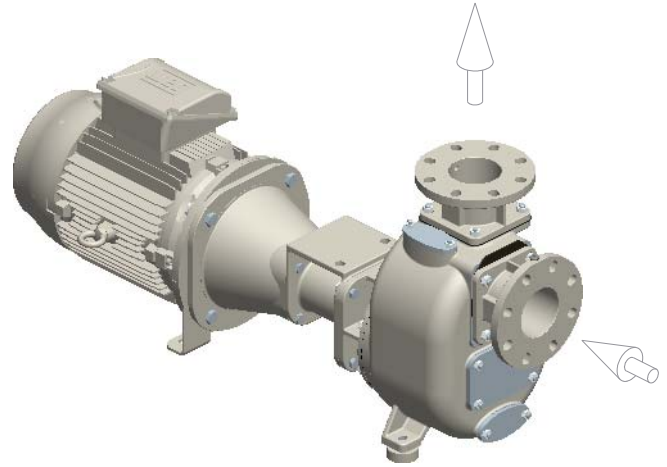


S100 ...BBT+F



kg = 123
m³ = 0.51



ISO DN100 PN16
ANSI 4" 125lb

