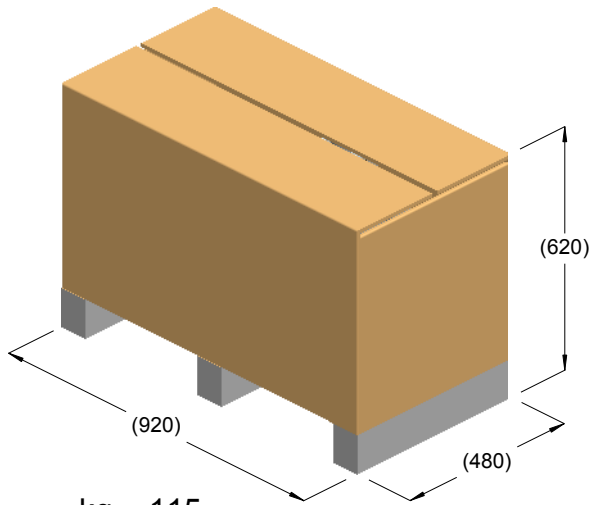
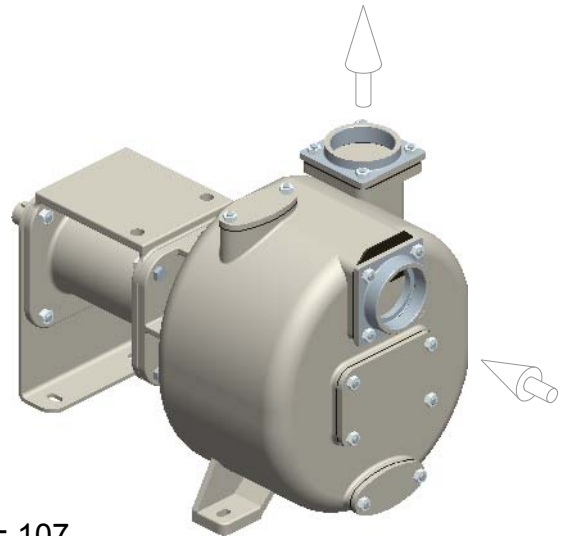


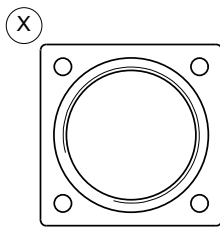
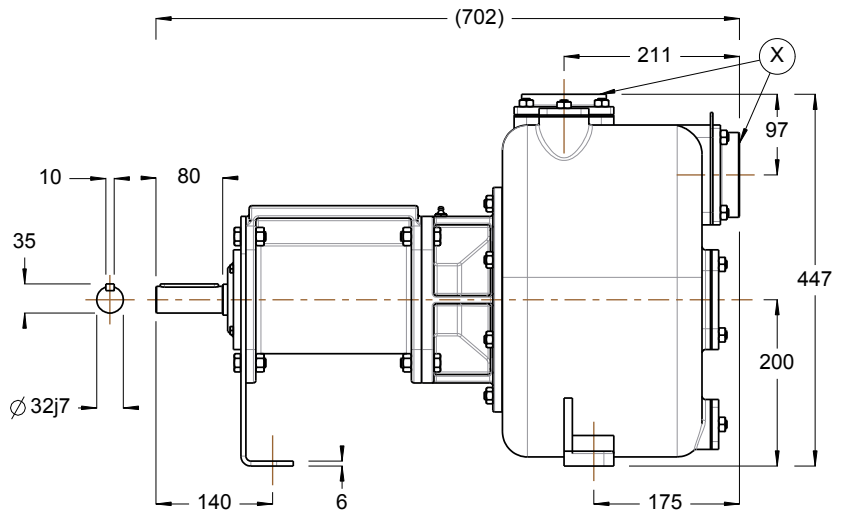
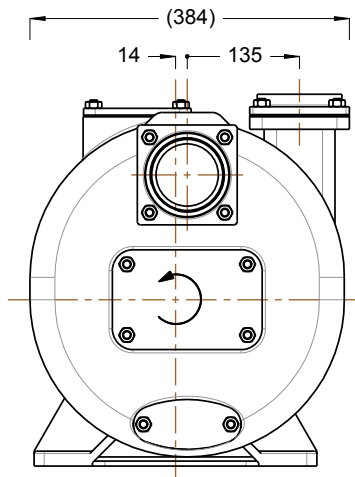
**S 91 ...B**



kg = 115  
m<sup>3</sup> = 0.27



kg = 107



R3" BSP

