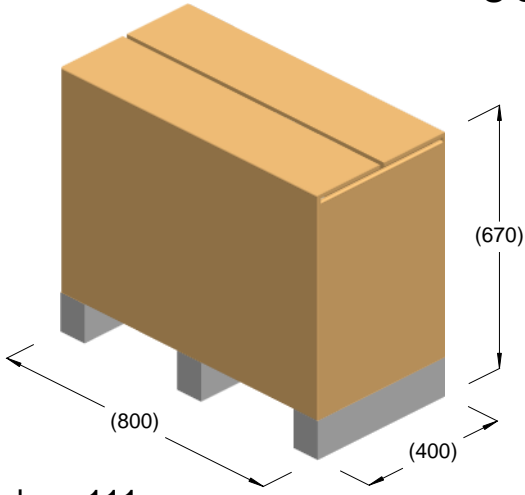
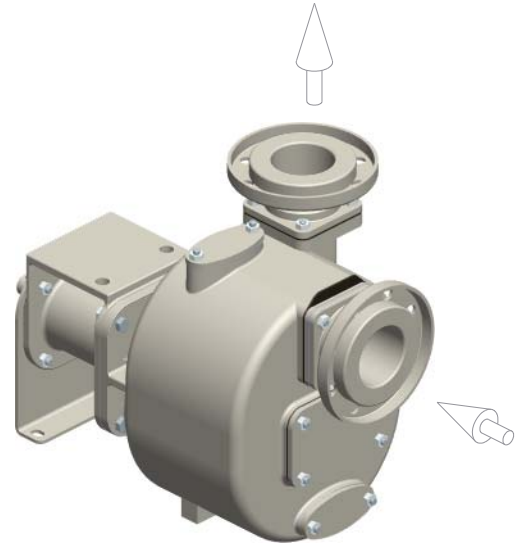


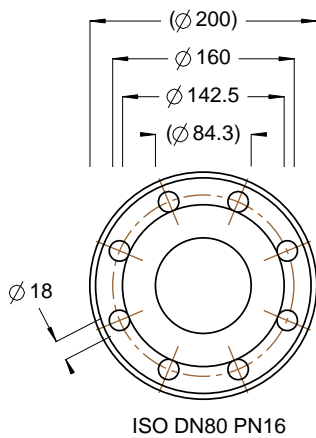
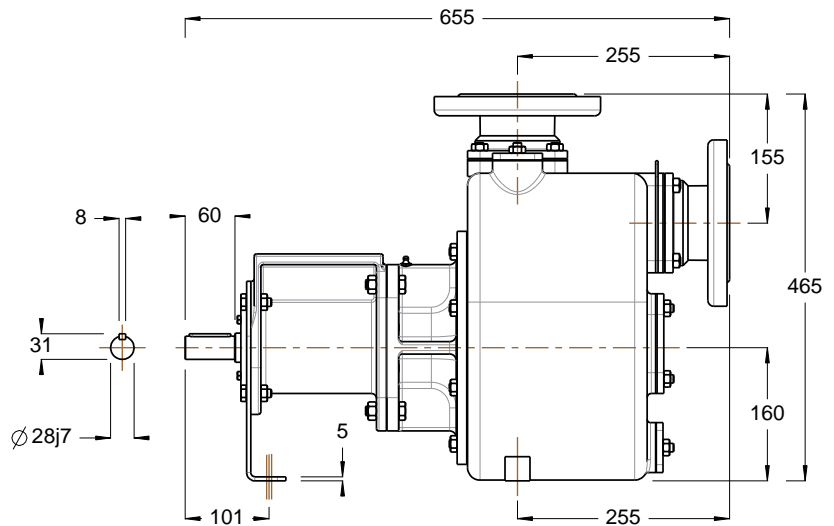
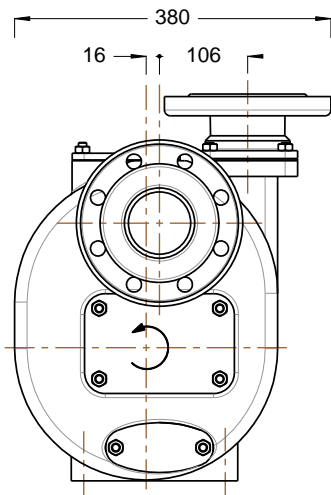
**S 88 K..B+F**



kg = 111  
m<sup>3</sup> = 0.21



kg = 104



ISO DN80 PN16

