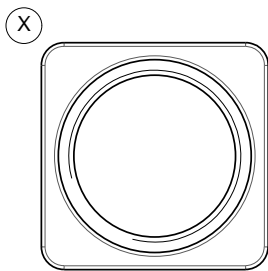
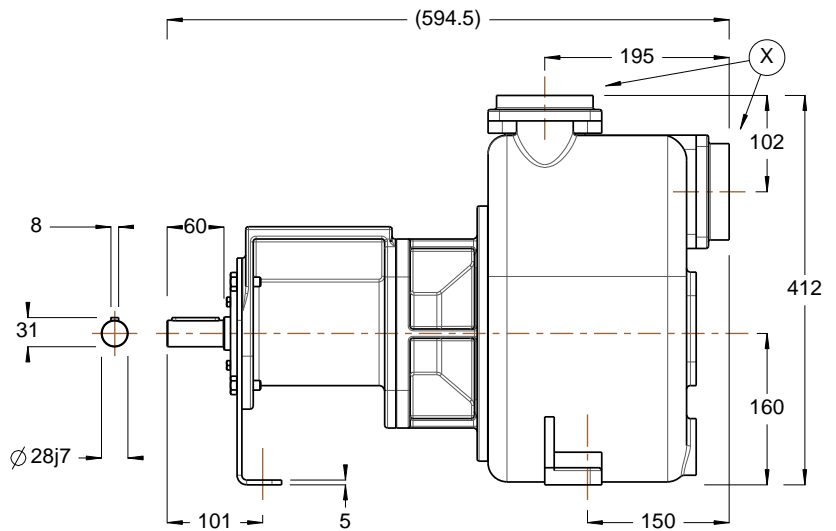
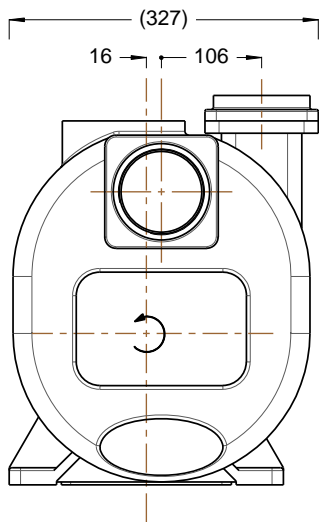
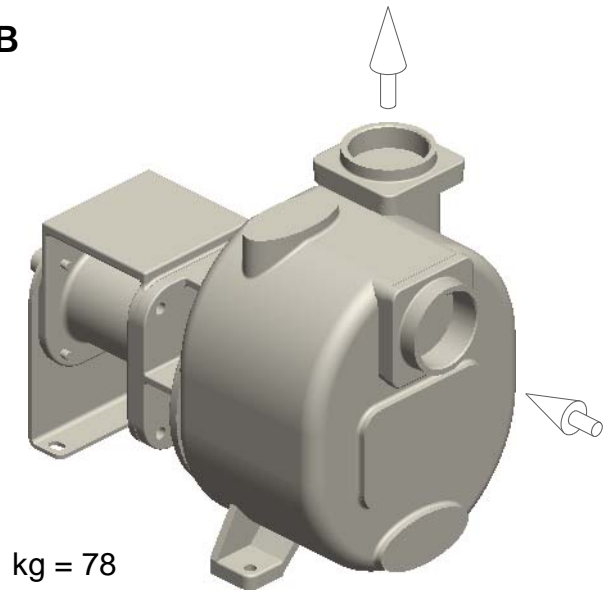
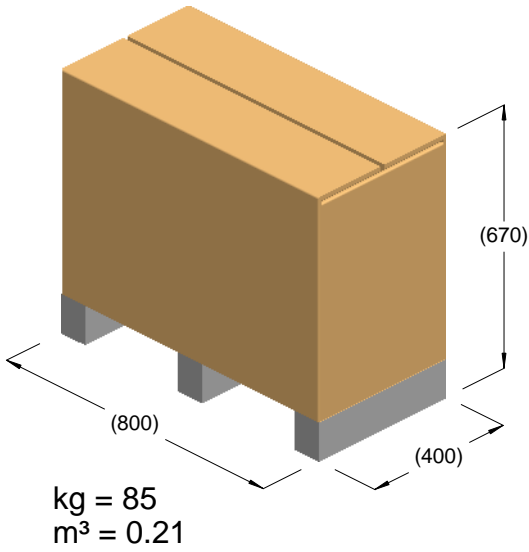


S 85 ...B



R3" BSP

