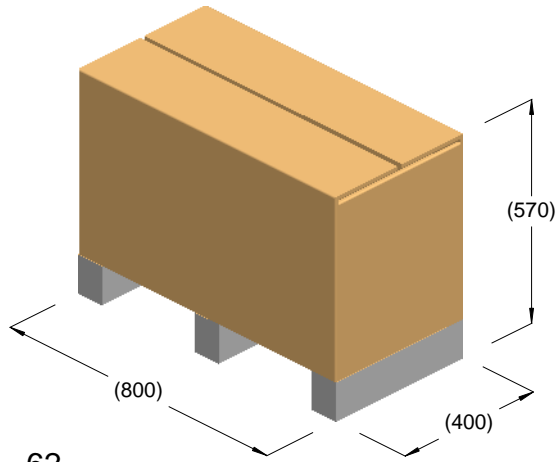
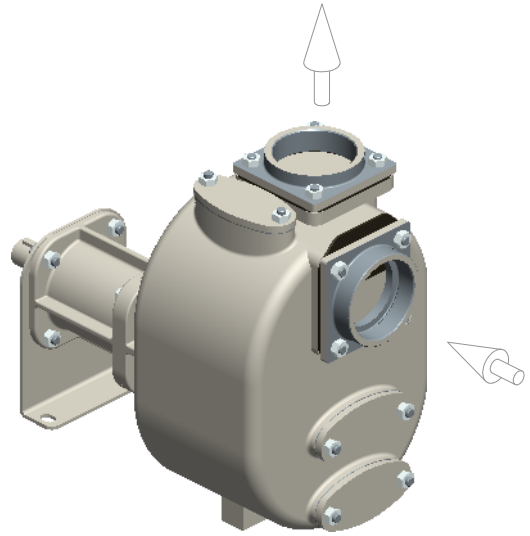


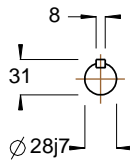
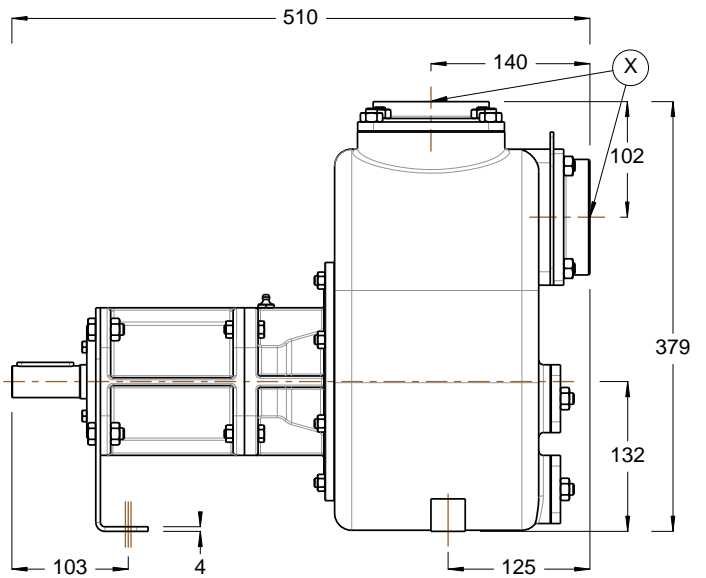
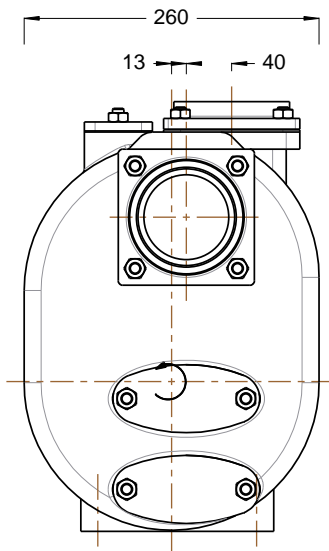
S 80 ...B



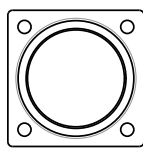
kg = 62
m³ = 0.18



kg = 55



(X)



R3" BSP

