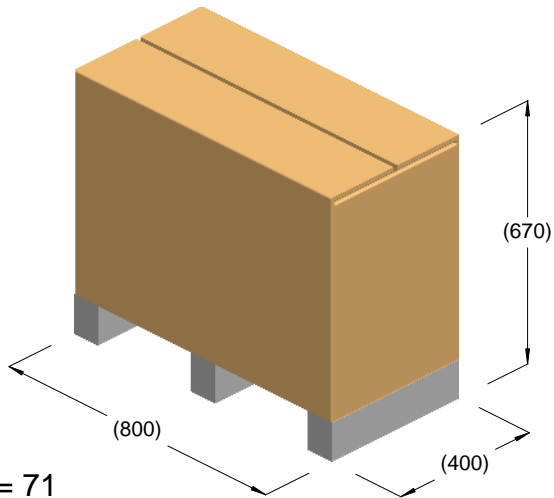
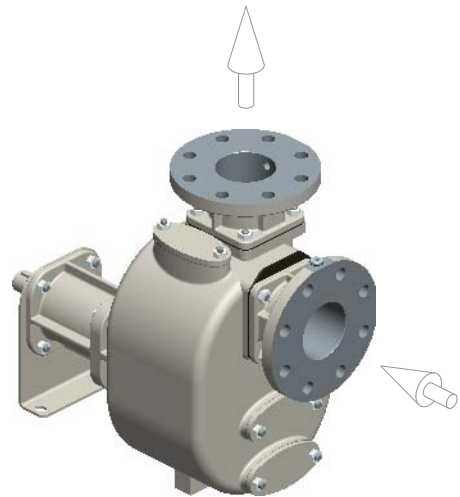


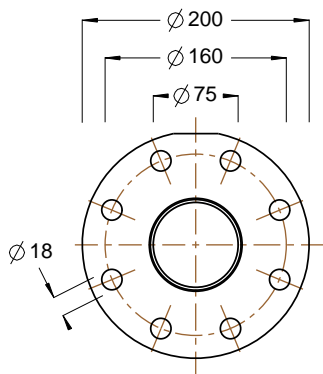
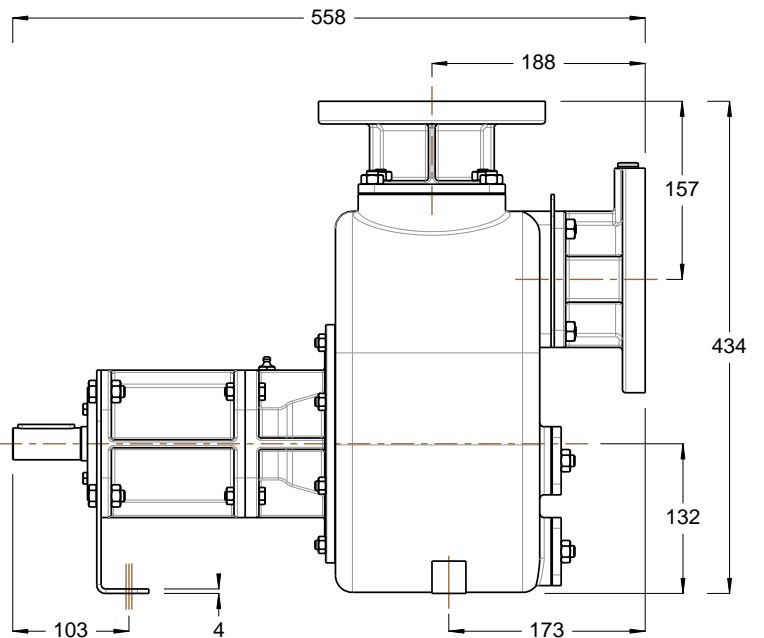
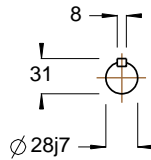
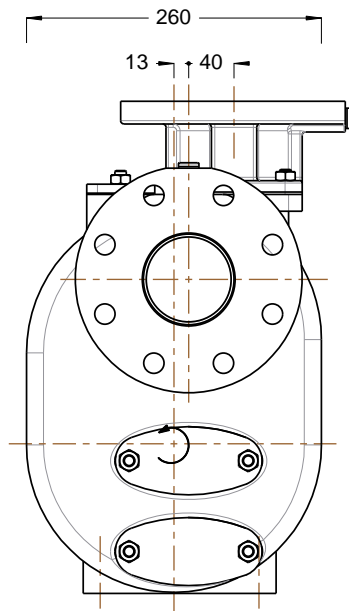
S 80 ...B+F



kg = 71
m³ = 0.21



kg = 64



ISO DN80 PN16

