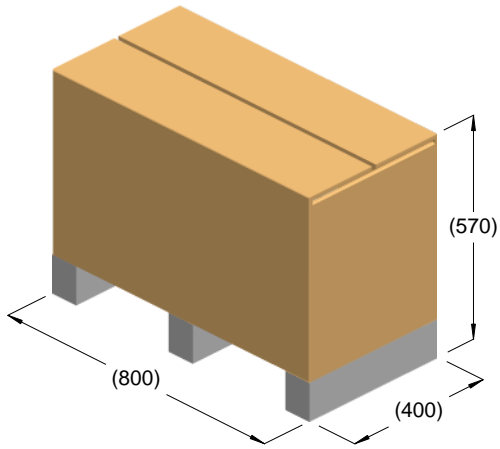
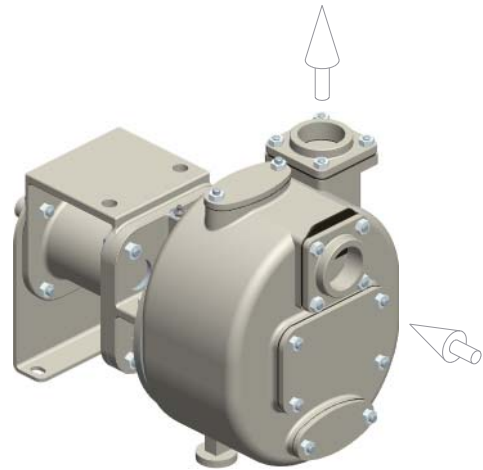


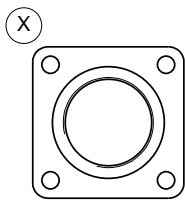
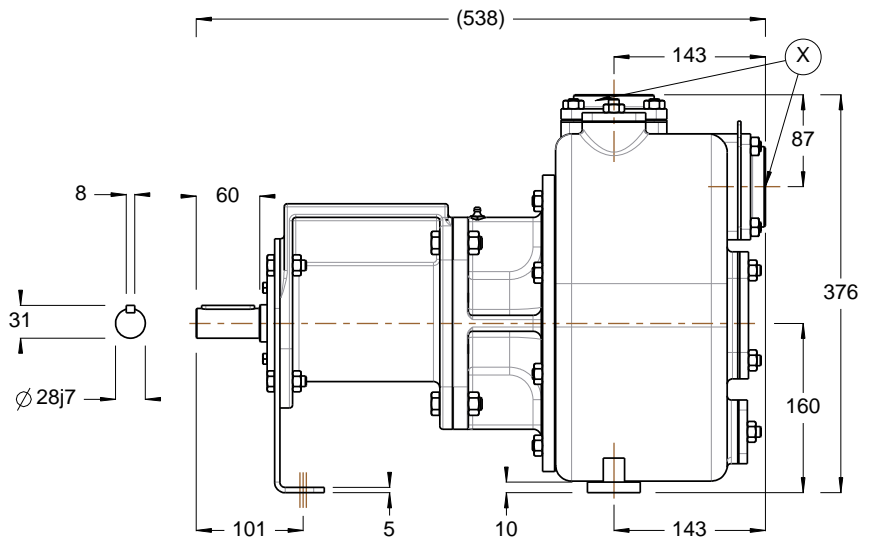
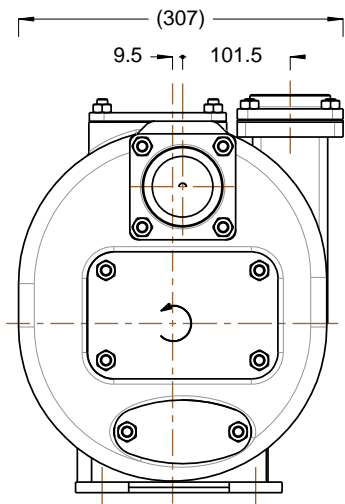
**S 69 K..B**



kg = 78  
m<sup>3</sup> = 0.18



kg = 71



R2" BSP

