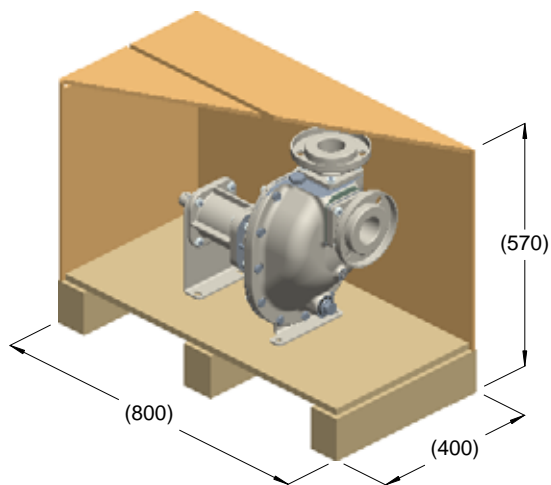
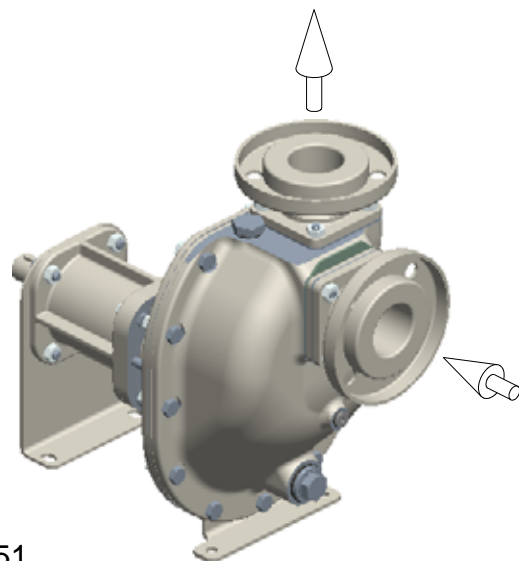




**S 62 K..B+F**



kg = 57  
m<sup>3</sup> = 0.18



kg = 51

