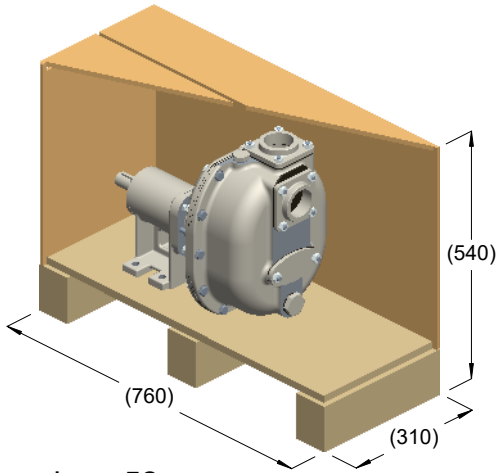
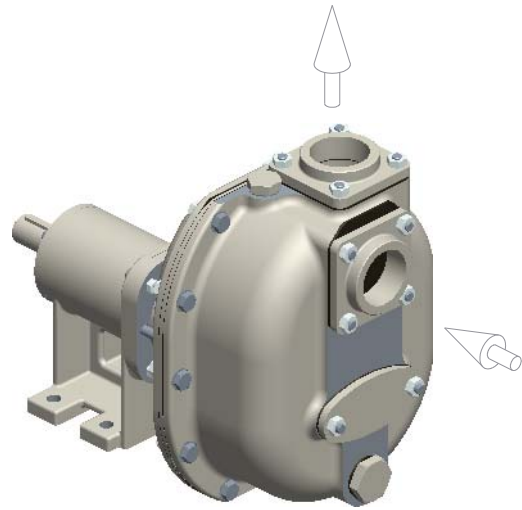


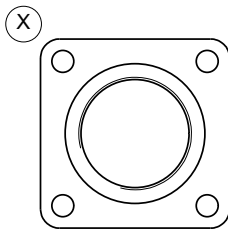
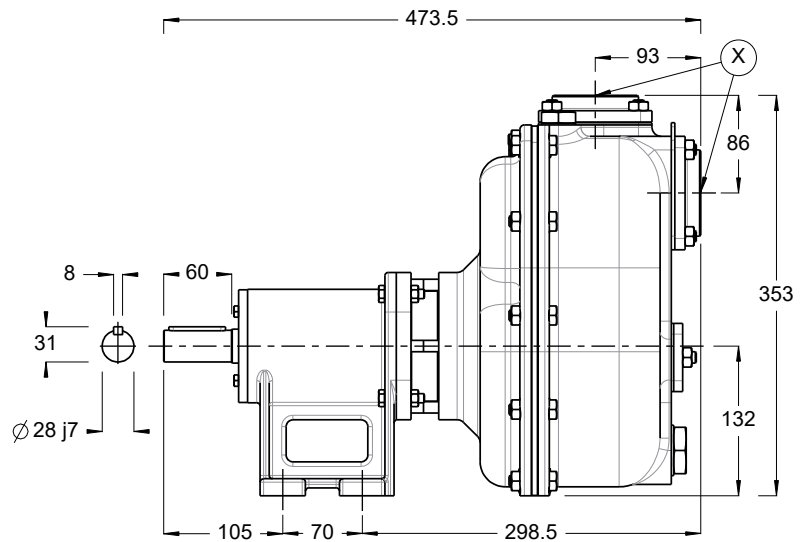
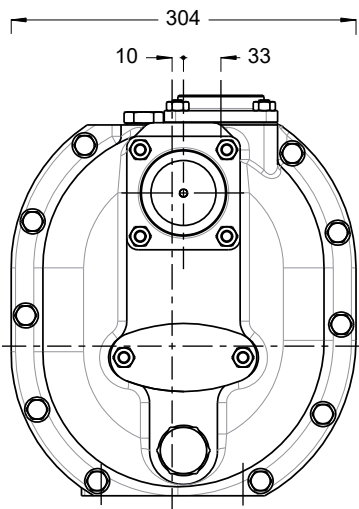
S 61 K..S



kg = 52
m³ = 0.13



kg = 47



R2" BSP

