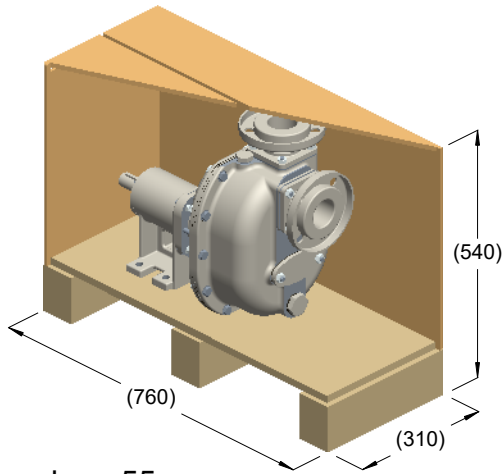
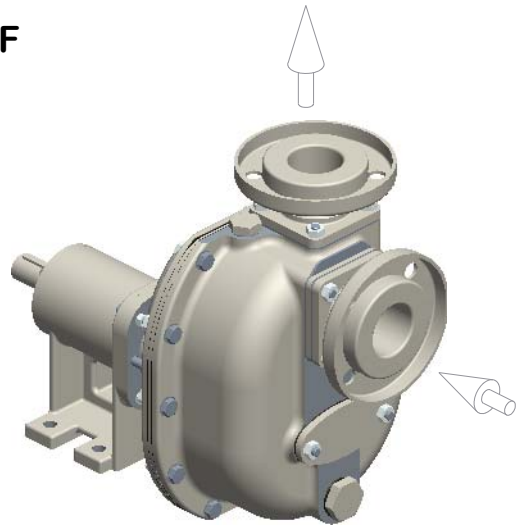


**S 61 K..S+F**



kg = 55  
m<sup>3</sup> = 0.13



kg = 50

