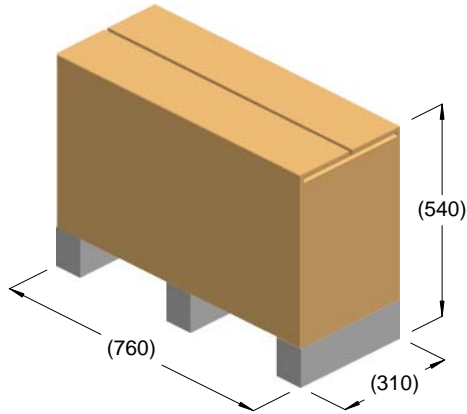
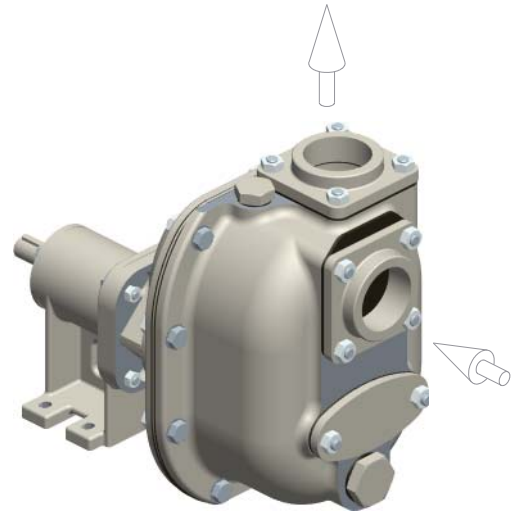


S 51 K..S



kg = 40
m³ = 0.13



kg = 34

