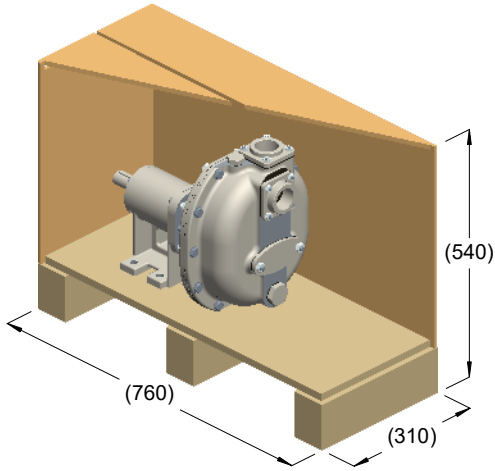
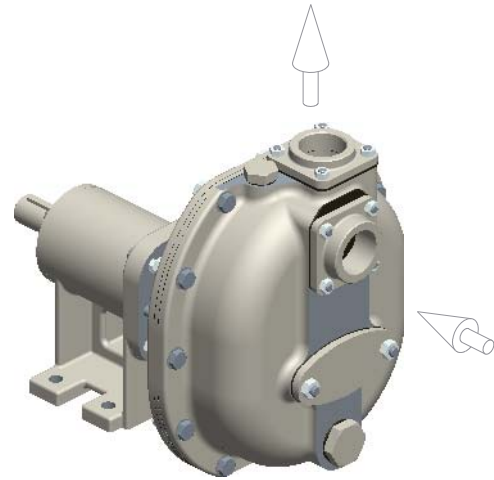


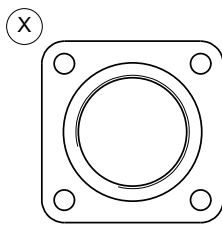
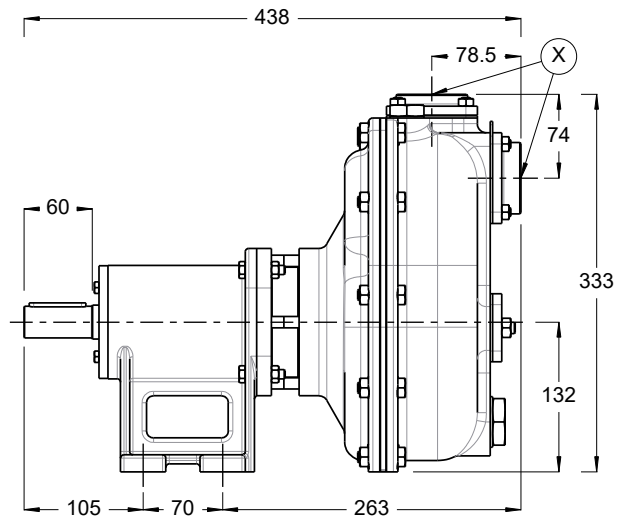
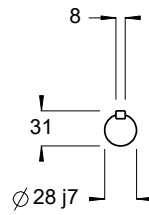
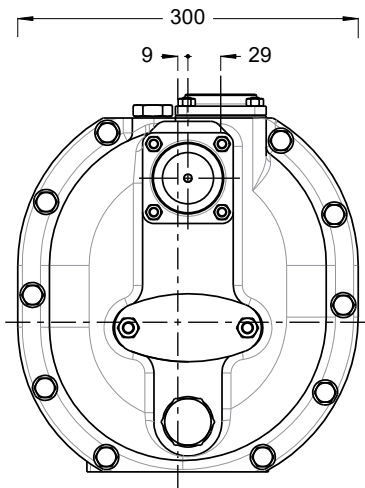
**S 46 K..S**



kg = 44  
m<sup>3</sup> = 0.13



Kg = 38



R1½ BSP

