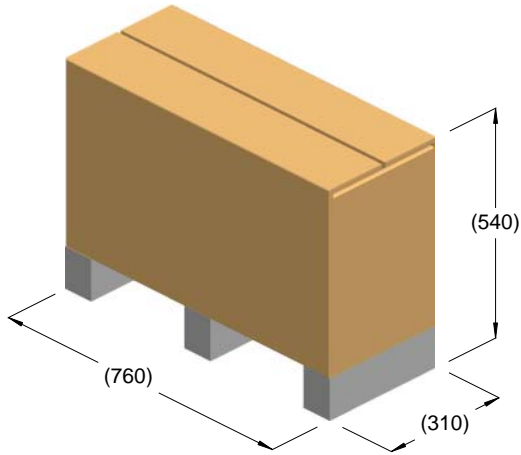
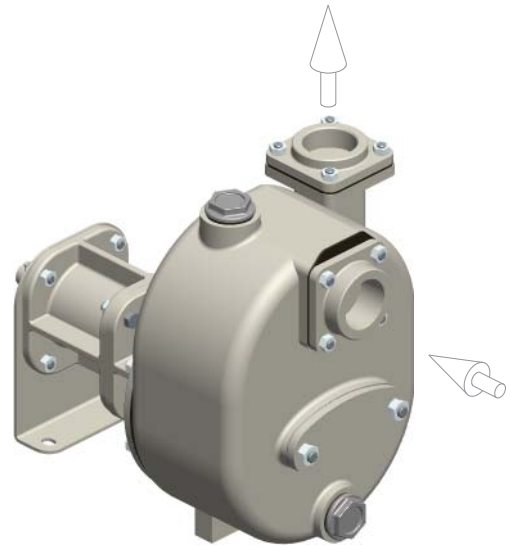


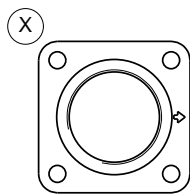
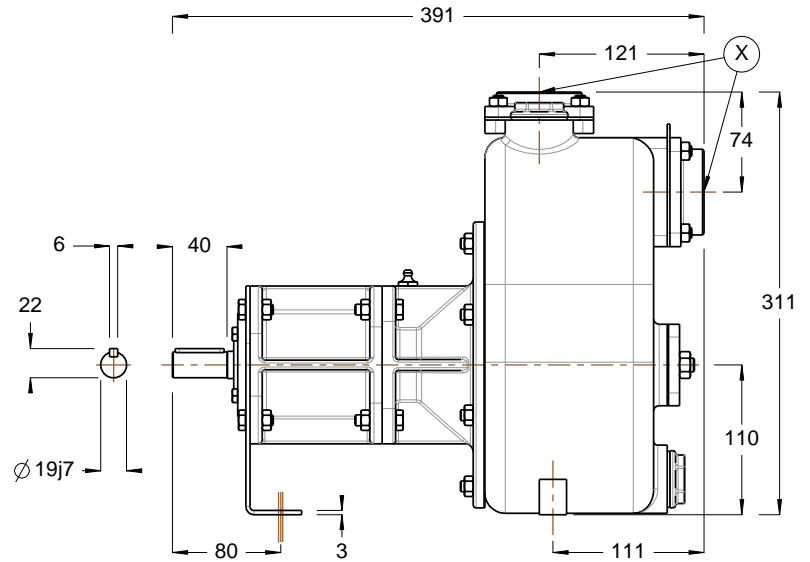
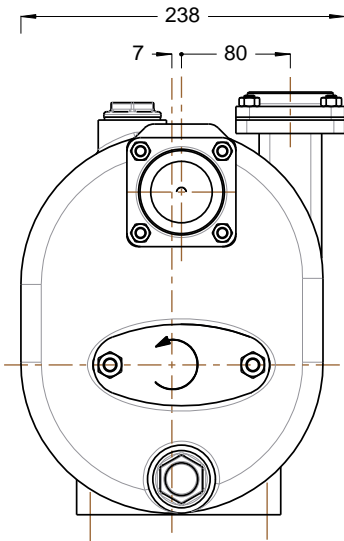
S 45 ...B



kg = 38
m³ = 0.13



kg = 32



R 1½" BSP

