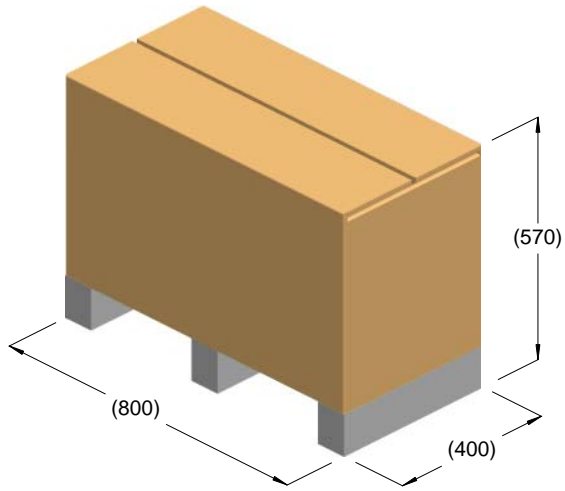
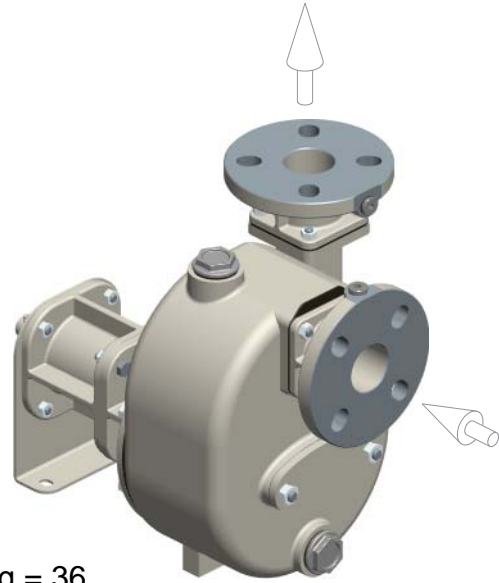


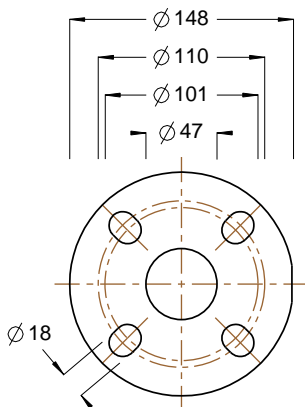
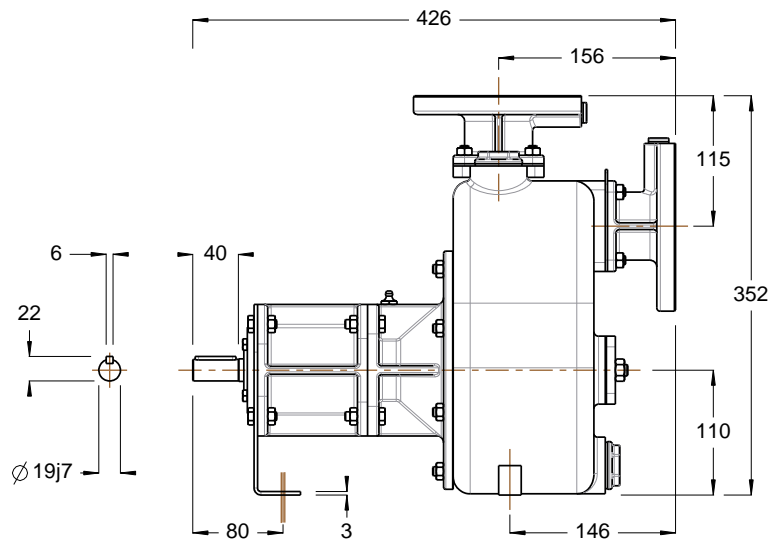
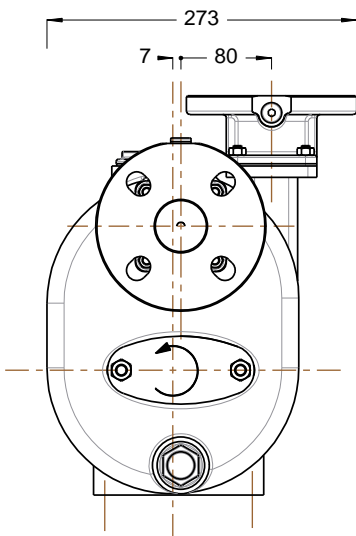
S 45 ...B+F



kg = 43
m³ = 0.18



kg = 36



ISO DN40 PN16
ANSI 1½" 125lb

