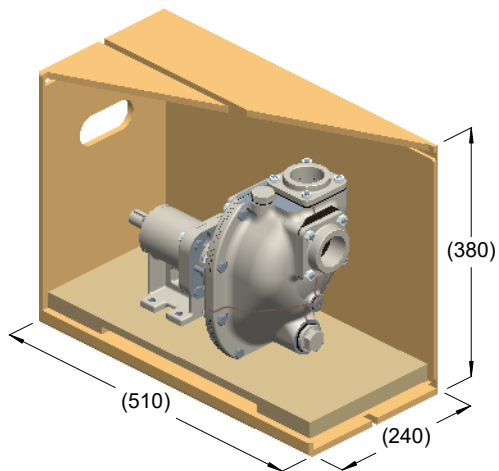
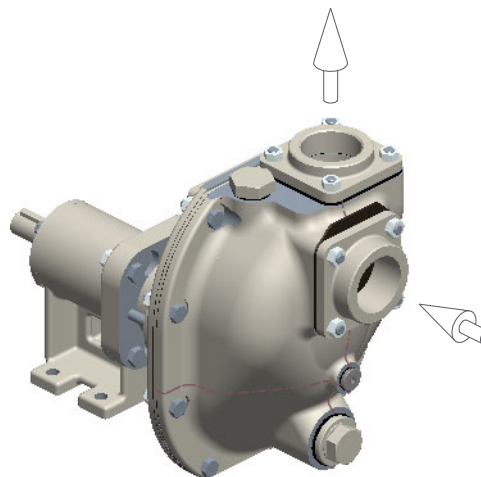




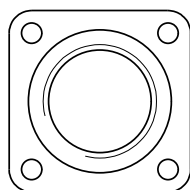
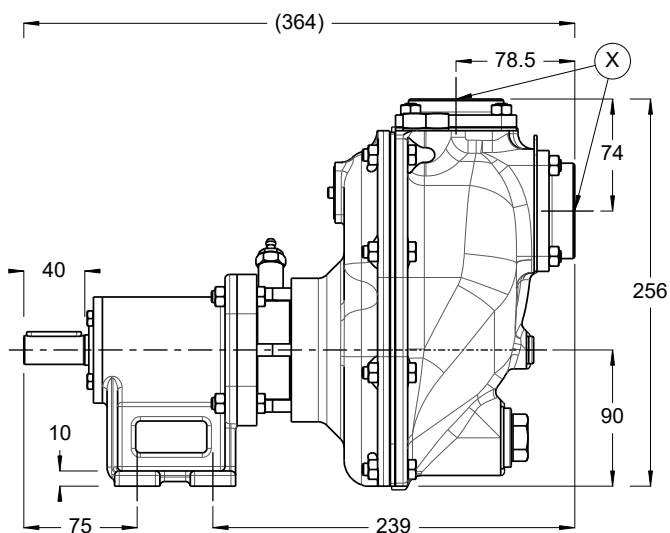
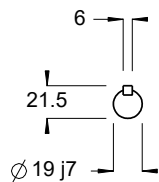
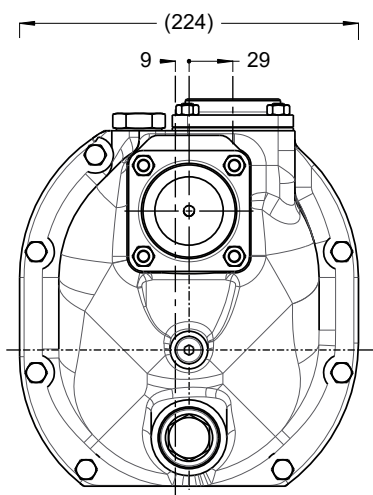
S 41+50 K..S



kg = 22  
m<sup>3</sup> = 0.05



kg = 20



R1½" BSP

