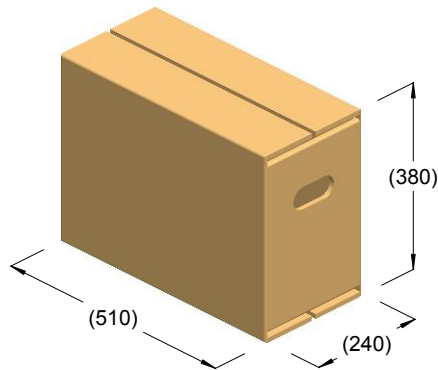
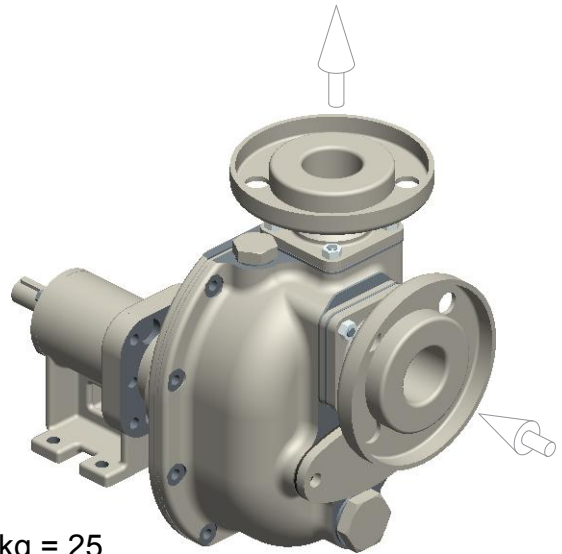


**S 41 ...S+F**



kg = 31  
m<sup>3</sup> = 0.13



kg = 25

