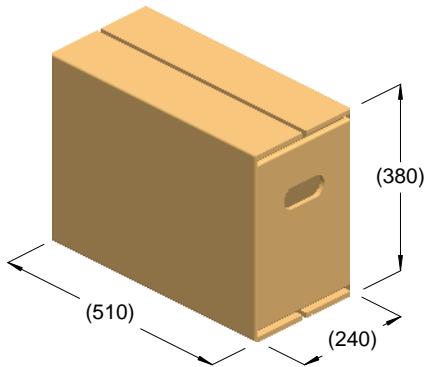
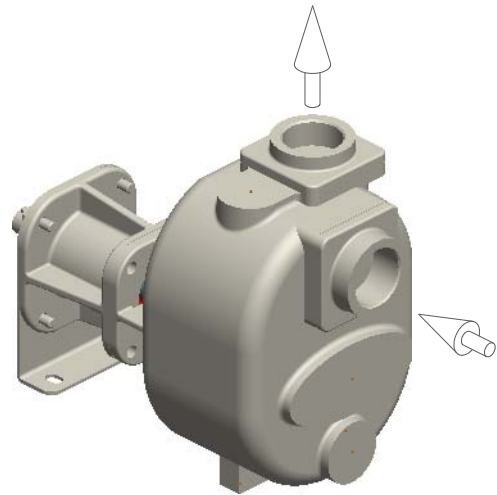


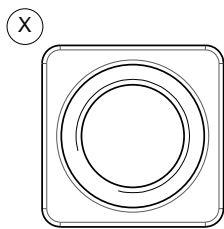
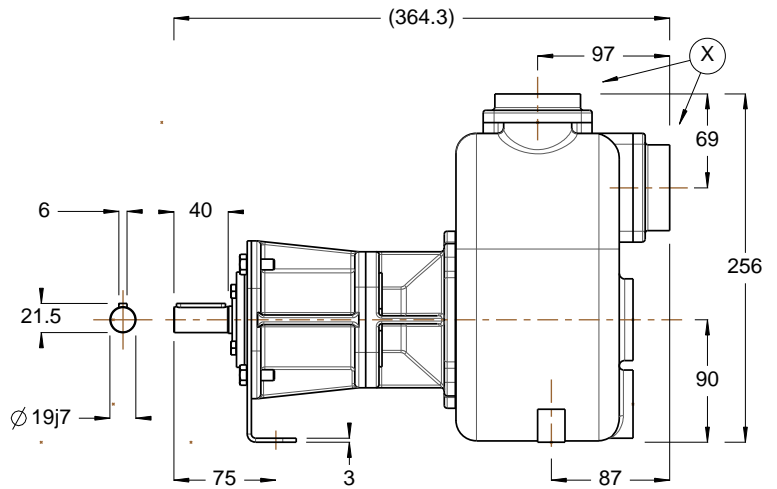
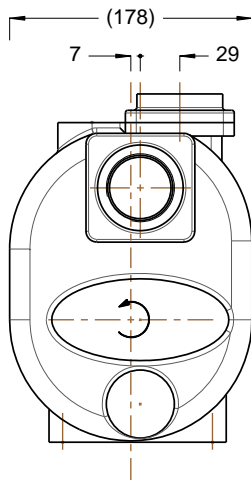
**S 40 ...B**



kg = 22  
m<sup>3</sup> = 0.05



kg = 19



R1½" BSP

