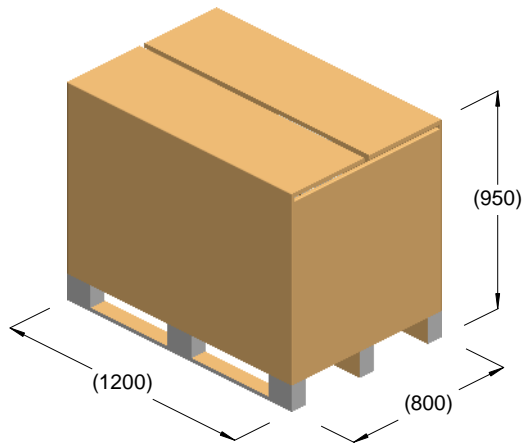
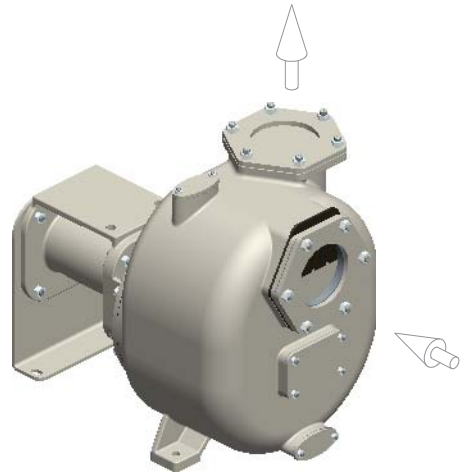


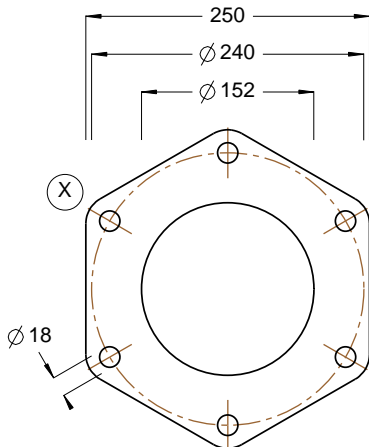
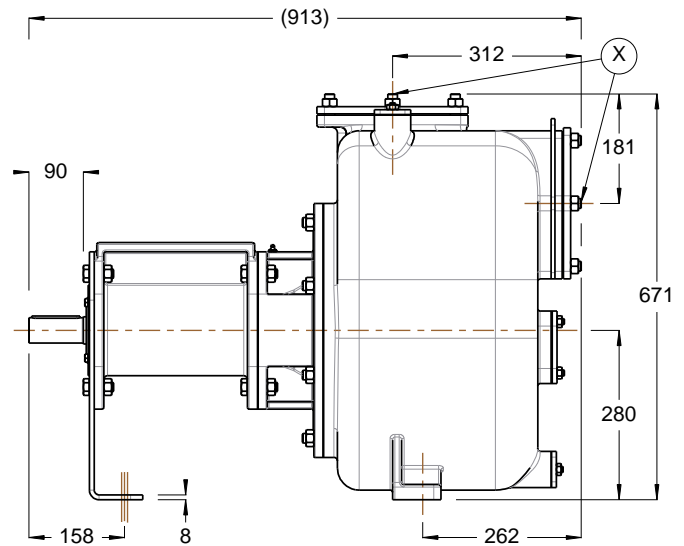
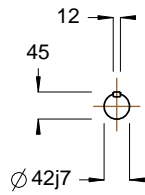
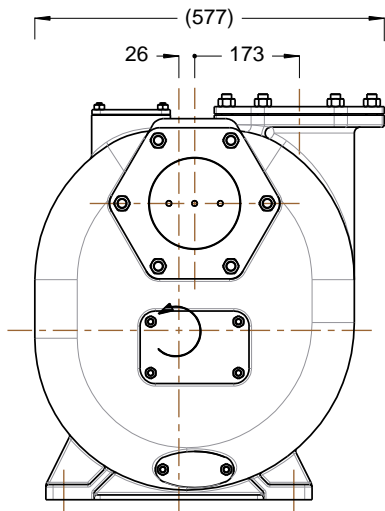
S180 ...B



kg = 220
m³ = 1.15



kg = 194



TO WELD

