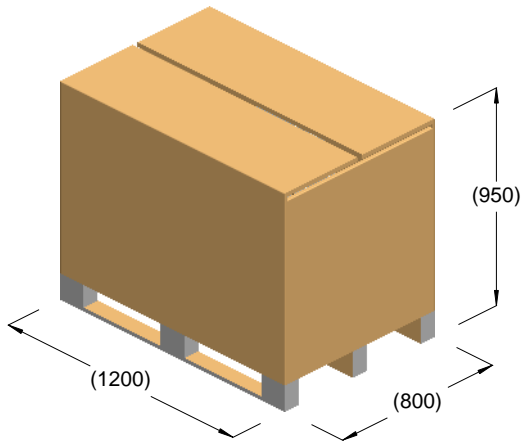
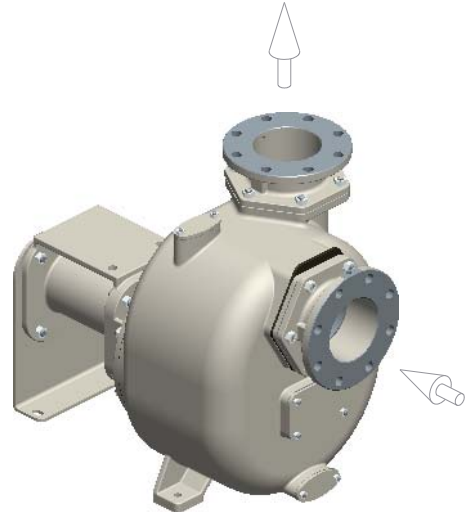


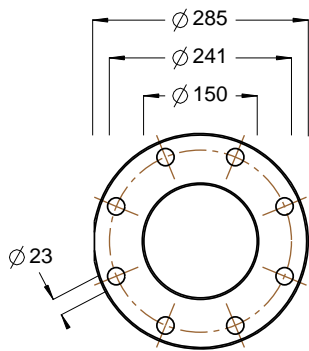
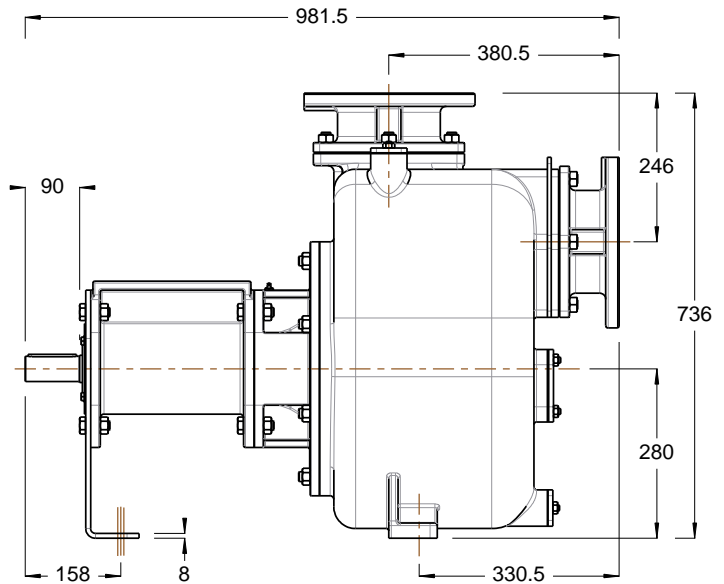
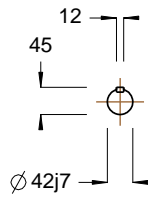
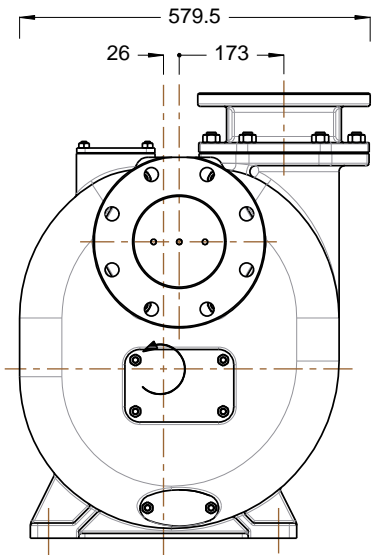
S180 ...B+F



kg = 241
m³ = 0.31



kg = 214



ISO DN150 PN16
ANSI 6" 150lb

