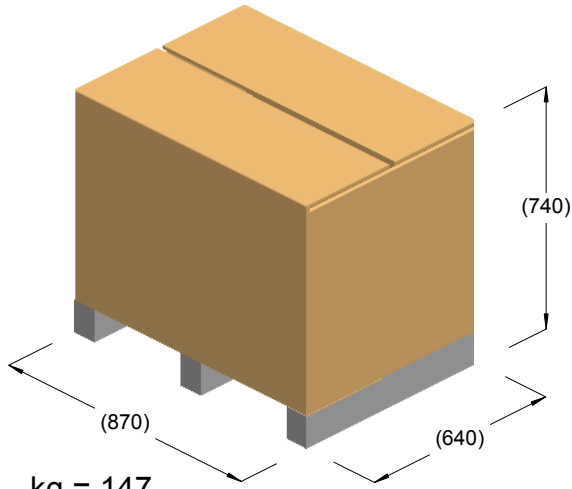
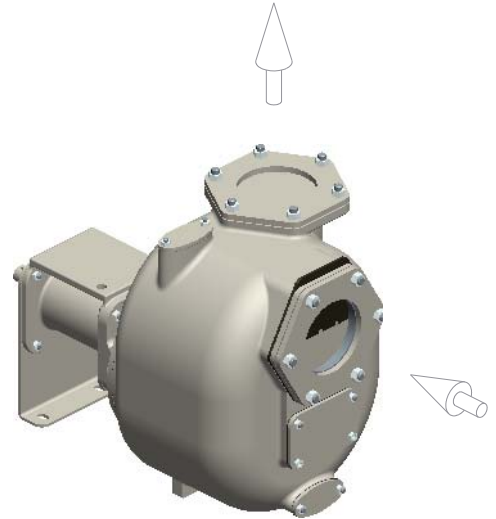


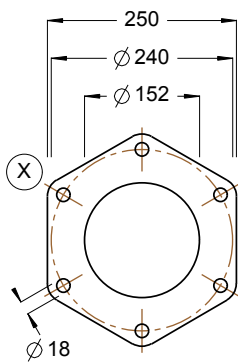
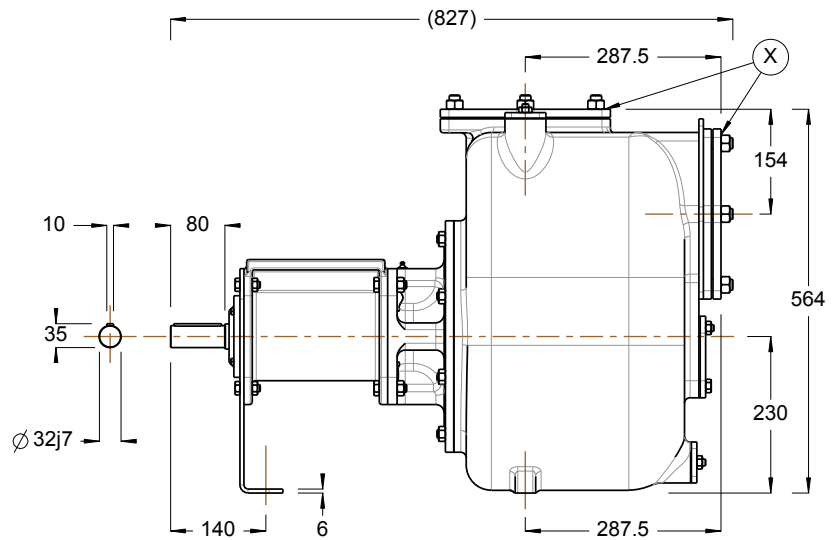
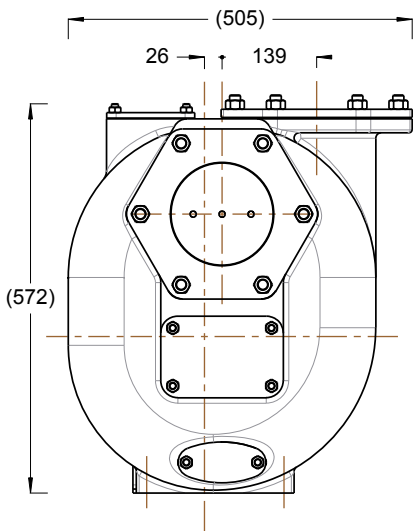
S161 K..B



kg = 147
m³ = 0.41



kg = 136



TO WELD

