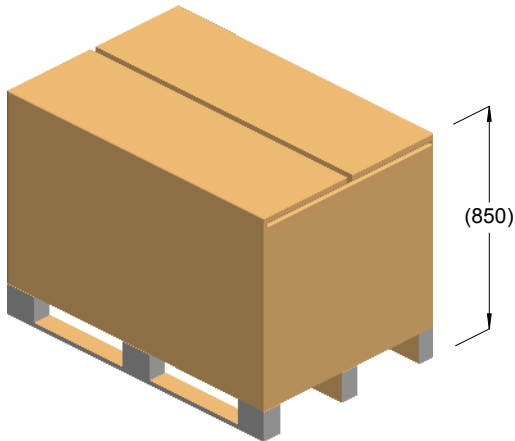
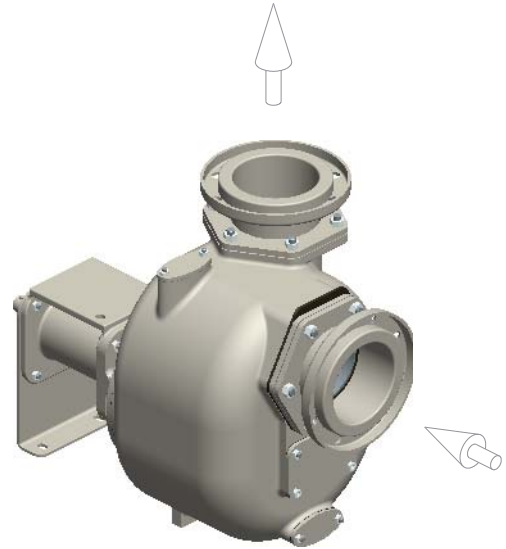


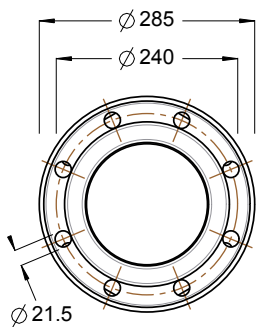
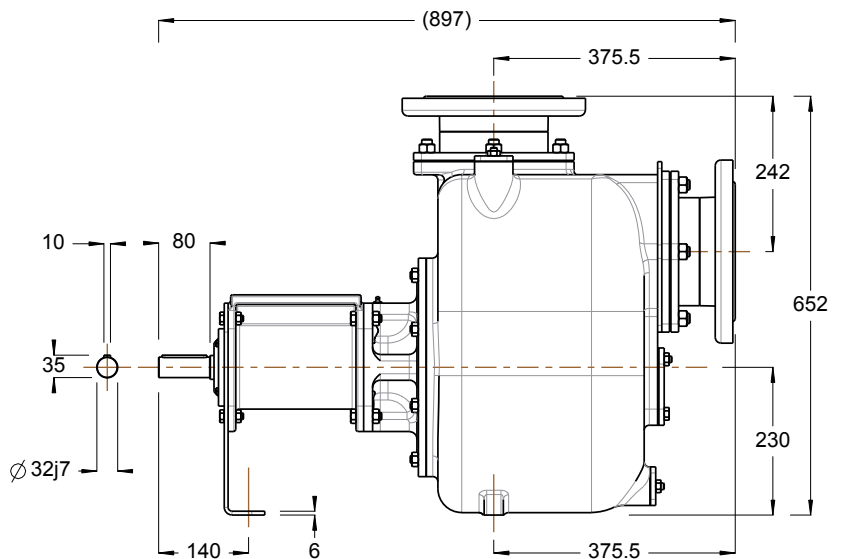
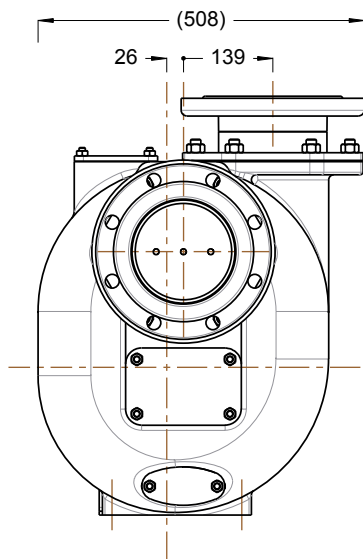
**S161 K..B+F**



kg = 136  
m<sup>3</sup> = 0.82



kg = 170



2x ISO DN150 PN16

