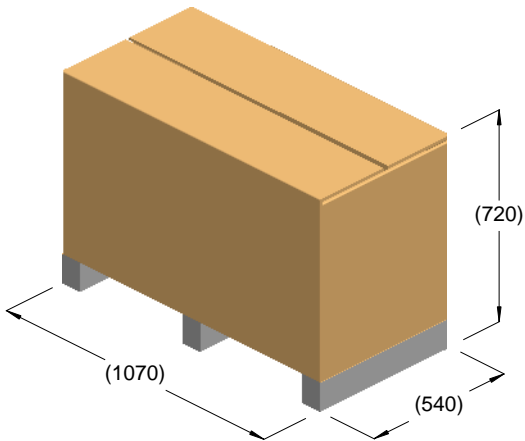
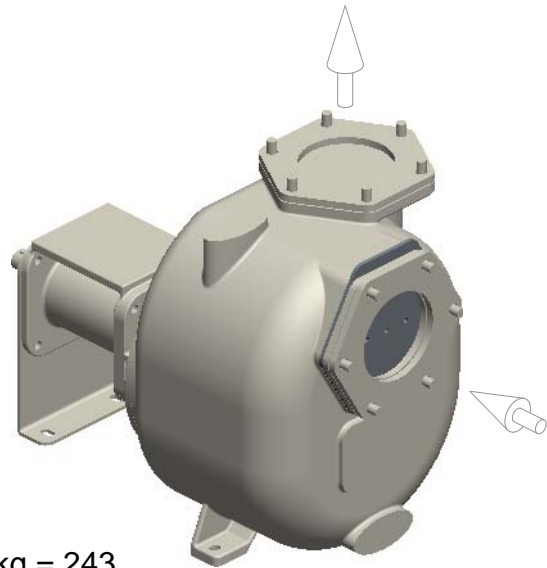


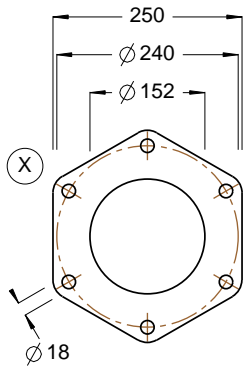
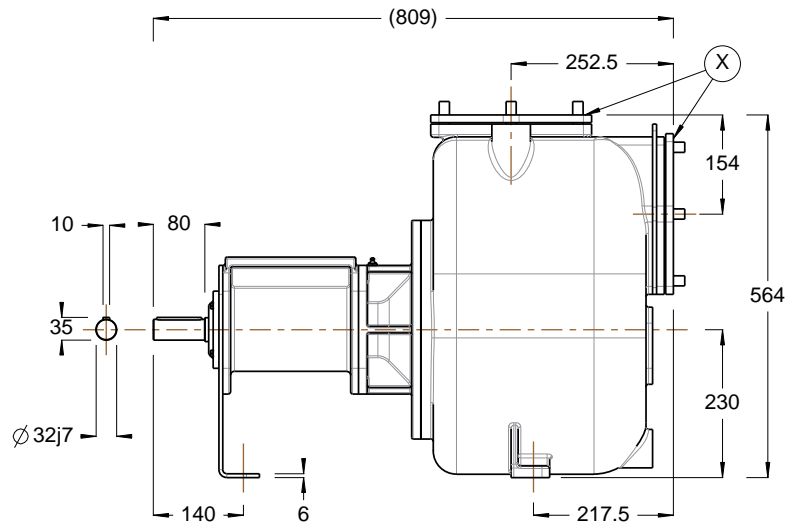
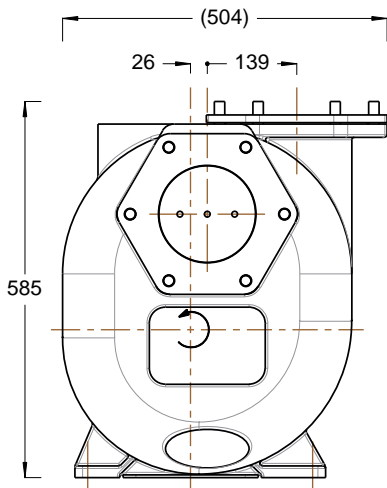
**S161 ...B**



kg = 267  
m<sup>3</sup> = 0.42



kg = 243



TO WELD

