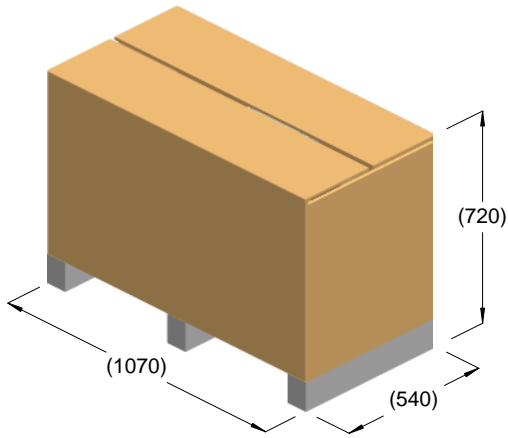
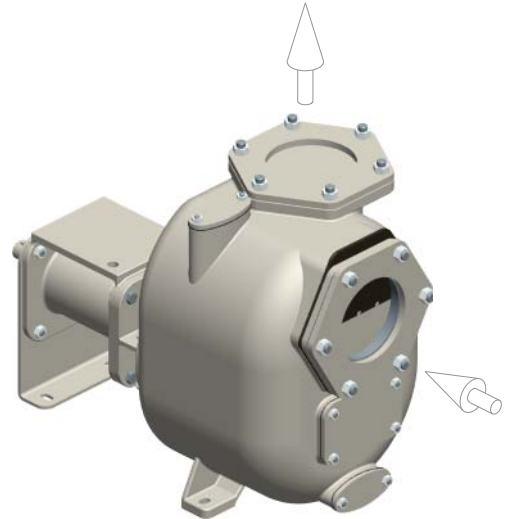


**S150 ...B**



kg = 144  
m<sup>3</sup> = 0.42



kg = 130

