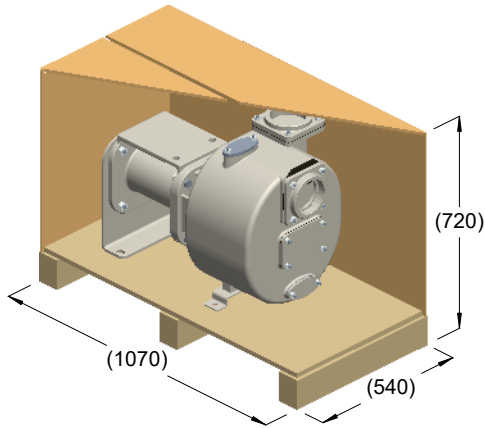
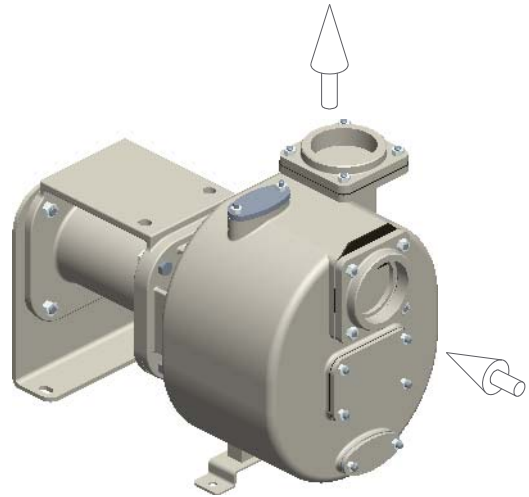


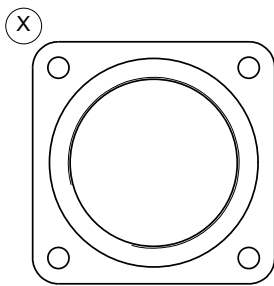
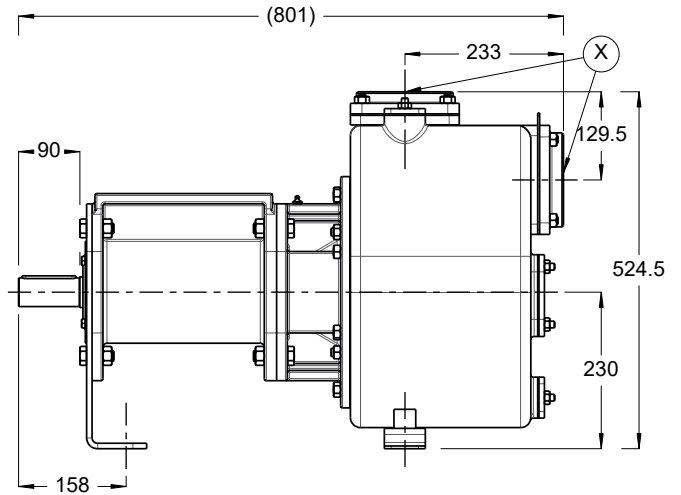
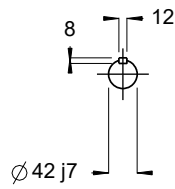
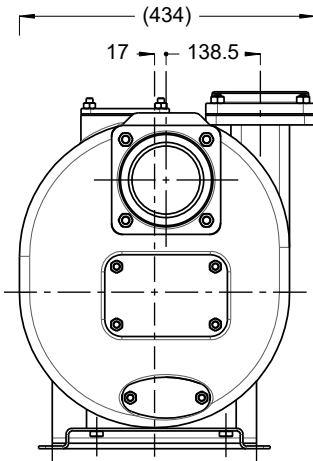
S126 K..B



kg = 223
m³ = 0.42



kg = 209



R4" BSP

