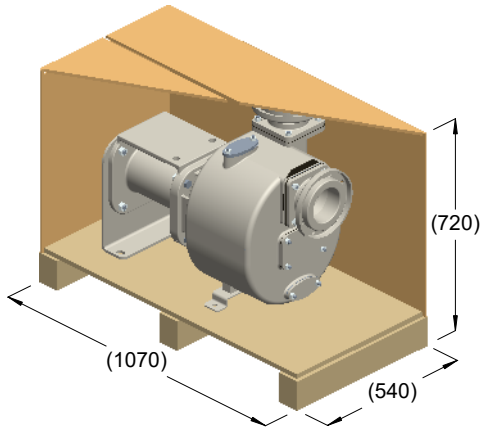
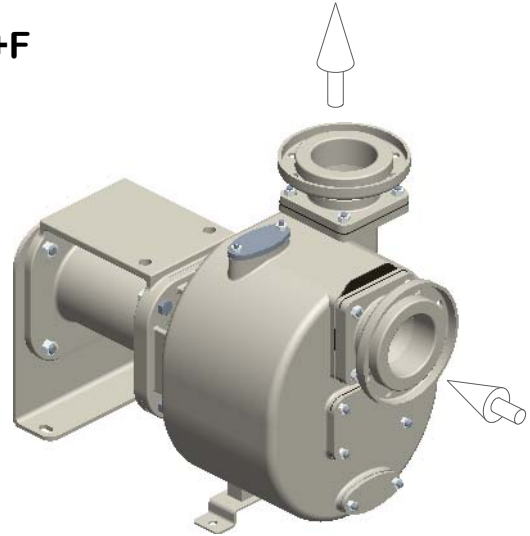


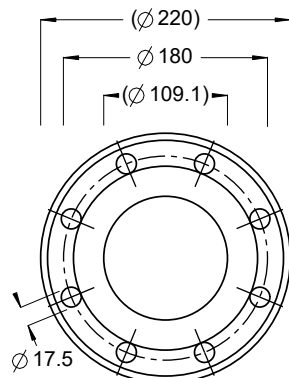
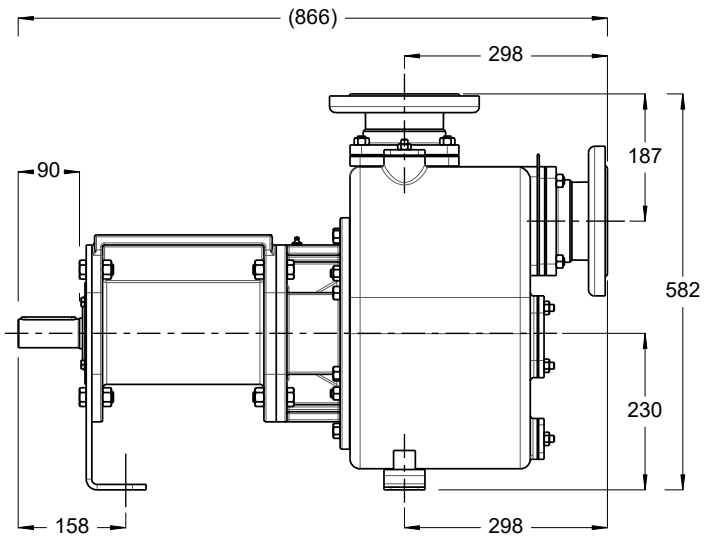
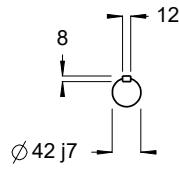
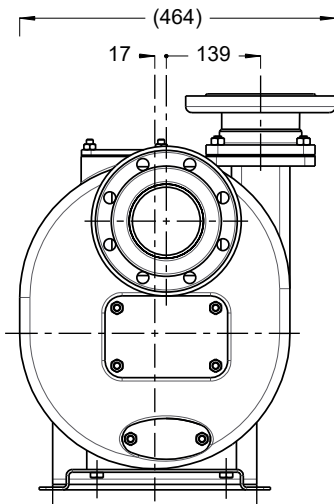
S126 K..B+F



kg = 230
m³ = 0.42



kg = 216



ISO DN100 PN16

