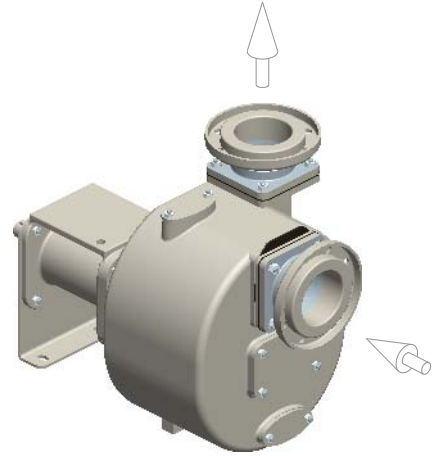
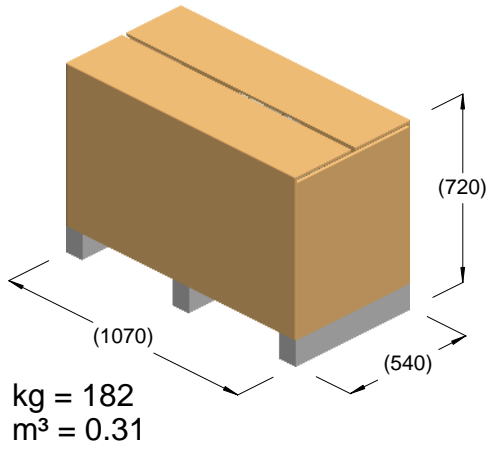


S121 K..B+F



kg = 168

